



RESIDENTIAL POOL & SPA PRODUCT CATALOG



Raypak[®]
A Rheem[®] Company

RP-P-902-6 REV A Effective 05-01-23 Replaces PD6000.1 REV C

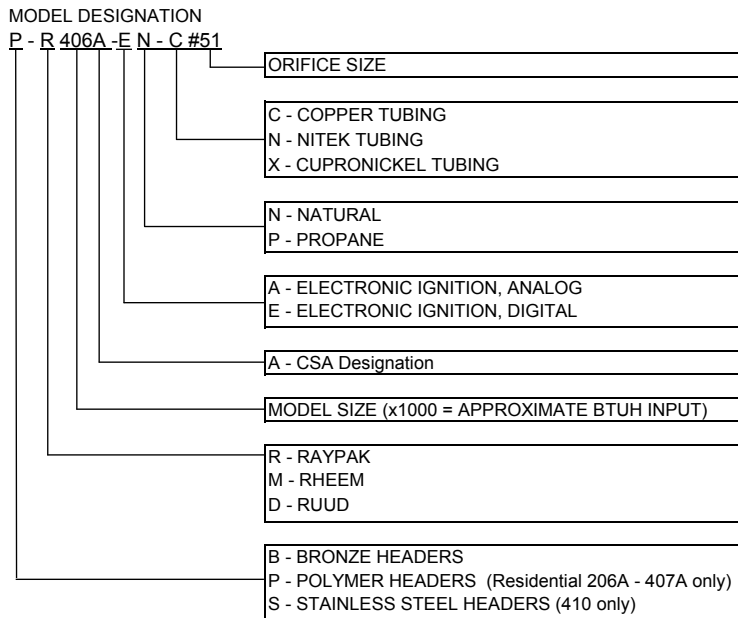
TABLE OF CONTENTS

SECTION 1	RESIDENTIAL HEATERS.....	4
SECTION 2	PUMPS ILLUSTRATED PARTS LIST.....	35
SECTION 3	APPENDIX	41

SECTION 1

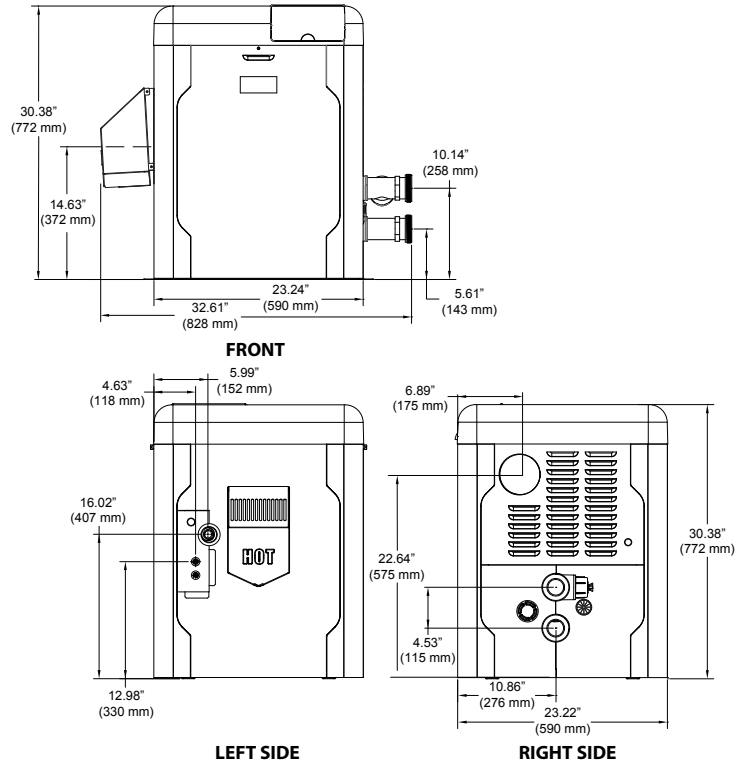
RESIDENTIAL HEATERS

AVIA COPPER 264 & 404.....	5
AVIA HD WITH NITEK 264 & 404.....	6
DIGITAL COPPER 206A-406A.....	7
DIGITAL CUPRO-NICKEL 206A-406A.....	8
DIGITAL LOW NO _x COPPER 207A-407A.....	9
MILLIVOLT COPPER 206A-406A.....	10
DIGITAL BRONZE ASME COPPER 206A-406A.....	11
DIGITAL BRONZE ASME CUPRO-NICKEL 206A-406A.....	12
DIGITAL BRONZE LOW NO _x ASME 207A-407A.....	13
DIGITAL BRONZE LOW NO _x ASME CUPRO-NICKEL 207A-407A.....	14
MILLIVOLT BRONZE ASME COPPER 206A-406A.....	15
PROFESSIONAL ASME BRONZE CUPRO-NICKEL 268 & 408.....	16
ASME OPTIONS AND KITS.....	17
X94 PROFESSIONAL 410.....	18
X94 PROFESSIONAL 410 OPTIONS.....	18
ANALOG 106A.....	19
DIGITAL 156A.....	20
E3T: 5.5-27kW.....	21
E3T 3-Phase 18-54kW.....	22
CROSSWIND 50-I & 65-I.....	23
HEAT PUMP-DIGITAL 2450ti, 3450ti, 4450ti.....	24
HEAT PUMP-DIGITAL 5450ti, 6450ti, 8450ti.....	25
HEAT PUMP-DIGITAL 6450ti-E-PD, 6450ti-E-HC, 8450ti-E-HC.....	26
PROFESSIONAL HEAT PUMP 9350ti, 9353ti, 10353ti, 10354ti.....	27
INDIRECT HEAT EXCHANGERS.....	28
RESIDENTIAL HEATER OPTIONS AND KITS.....	29
RAYPAK TO RHEEM CROSS REFERENCE GUIDE.....	30
PRODUCT NAME VS. MODEL NUMBER.....	33
GAS LINE SIZING CHART.....	34



AVIA COPPER 264 & 404

- Built-in Wi-Fi enabled controls
- Raymote™ connectivity
- Smart Scheduling - set time and temperature schedule
- Smart Automation - control Protégé VSP and one on/off pump or water feature
- Patent pending compact, straight-tube heat exchanger
- 2' x 2' base footprint - all models
- 140 lbs. - easy, one person installation
- ProTek Shield™ module



Model No.	MBTUH Input	Combustion Air ø	Flue ø	Gas Conn.	Water Conn.	Unit Weight (lbs.)	Shipping Weight (lbs.)
264	264	4"	4"	3/4" NPT	2" Buttress	135	155
404	399	4"	4"	3/4" NPT	2" Buttress	135	155

Dimensions are in inches.

MODEL	GAS	ELEVATION (feet)	PART NUMBER	SHIPPING WEIGHT (LBS)
P-R264A-EN-C	Natural	0-4500	018032	203
P-R404A-EN-C	Natural	0-4500	018033	203
P-R264A-EP-C	Propane	0-4500	018038	203
P-R404A-EP-C	Propane	0-4500	018039	203
High Elevation Kit 264	Natural	4501-10000	019065F	TBD
High Elevation Kit 404	Natural	4501-10000	019066F	TBD
High Elevation Kit 264	Propane	4501-10000	019067F	TBD
High Elevation Kit 404	Propane	4501-10000	019068F	TBD

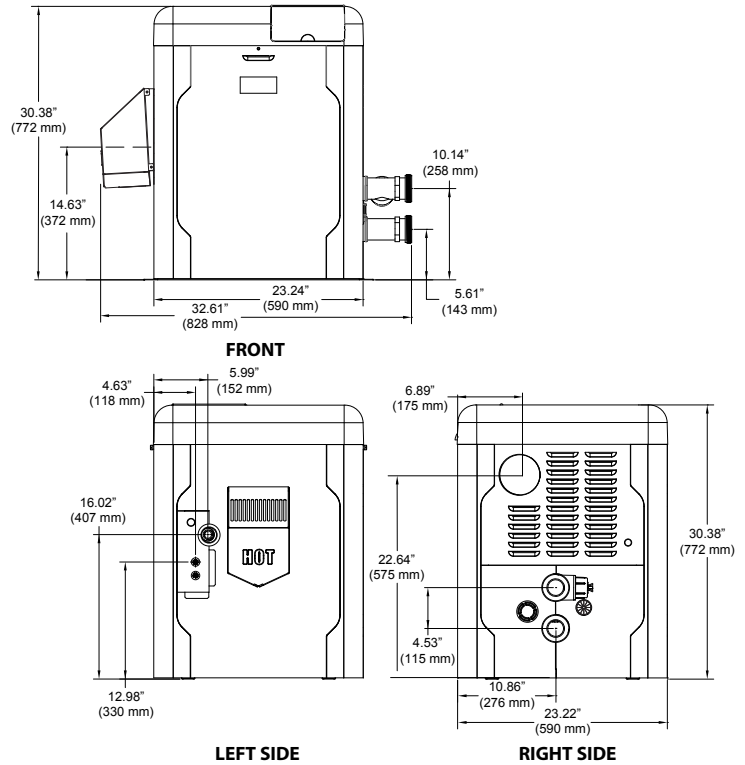
ProTek Shield
For replacement kit, see page 29.



For Parts reference the Illustrated Parts List at the back of this products I&O Manual, or Scan Code

AVIA HD WITH NITEK 264 & 404

- Built-in Wi-Fi enabled controls
- Raymote™ connectivity
- Smart Scheduling - set time and temperature schedule
- Smart Automation - control Protégé VSP and one on/off pump or water feature
- Patent pending compact, straight-tube heat exchanger
- 2' x 2' base footprint - all models
- 140 lbs. - easy, one person installation
- ProTek Shield™ module
- Featuring NiTek Advanced Heat Exchanger Technology



Model No.	MBTUH Input	Combustion Air ø	Flue ø	Gas Conn.	Water Conn.	Unit Weight (lbs.)	Shipping Weight (lbs.)
264	264	4"	4"	3/4" NPT	2" Buttress	135	155
404	399	4"	4"	3/4" NPT	2" Buttress	135	155

Dimensions are in inches.

MODEL	GAS	ELEVATION (feet)	PART NUMBER	SHIPPING WEIGHT (LBS)
P-R264A-EN-C	Natural	0-4500	018044	203
P-R404A-EN-C	Natural	0-4500	018045	203
P-R264A-EP-C	Propane	0-4500	018050	203
P-R404A-EP-C	Propane	0-4500	018051	203
High Elevation Kit 264	Natural	4501-10000	019065F	TBD
High Elevation Kit 404	Natural	4501-10000	019066F	TBD
High Elevation Kit 264	Propane	4501-10000	019067F	TBD
High Elevation Kit 404	Propane	4501-10000	019068F	TBD

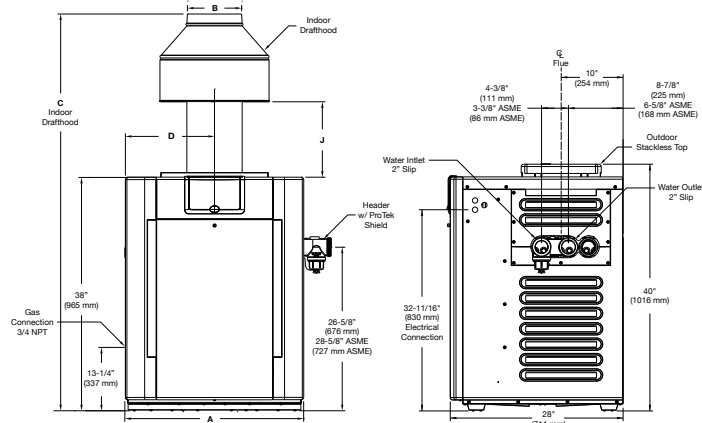
ProTek Shield
For replacement kit, see page 29.



For Parts reference the Illustrated Parts List at the back of this products I&O Manual, or Scan Code

DIGITAL COPPER 206A-406A

- ProTek Shield™ module
- LCD digital display provides accurate temperature
- Monitors operational status as well as service diagnostics
- High-wind resistance
- Corrosion-resistant headers
- Unitherm governor prevents condensation
- PVC plumbing directly to the heater
- Can be installed on combustible surface



Heater Model	BTUH Input (000)	(A) Cabinet Width	(B) Flue Diameter	(C) Indoor Drafthood	(D)	(J) Minimum	Shipping Weights (lbs)	
							w/ Polymer Headers and Stackless Top	Indoor Drafthood
R206A	199.5	20"	6"	61-5/8"	10"	11-3/4"	200	12
R266A	266.0	23"	7"	62"	11-1/2"	11"	220	15
R336A	332.5	26"	8"	63"	13"	10-5/8"	240	17
R406A	399.0	29"	9"	64-1/2"	14-1/2"	12-1/8"	260	20

Dimensions are in inches.

MODEL	GAS	ELEVATION (feet)	PART NUMBER	SHIPPING WEIGHT (LBS)
P-R206A-EN-C #50	Natural	0-2000	009216	200
P-R206A-EN-C #51	Natural	2000-6000	009220	200
P-R206A-EN-C #52	Natural	6000-9000	009846	200
P-R266A-EN-C #50	Natural	0-2000	009217	220
P-R266A-EN-C #51	Natural	2000-6000	009221	220
P-R266A-EN-C #52	Natural	6000-9000	009847	220
P-R336A-EN-C #50	Natural	0-2000	009218	240
P-R336A-EN-C #51	Natural	2000-6000	009222	240
P-R336A-EN-C #52	Natural	6000-9000	009848	240
P-R406A-EN-C #50	Natural	0-2000	009219	260
P-R406A-EN-C #51	Natural	2000-6000	009223	260
P-R406A-EN-C #52	Natural	6000-9000	009849	260
P-R206A-EP-C #57	Propane	0-2000	009224	200
P-R206A-EP-C #58	Propane	2000-3000	009228	200
P-R206A-EP-C #59	Propane	3000-5000	009232	200
P-R206A-EP-C #60	Propane	5000-7000	009236	200
P-R266A-EP-C #57	Propane	0-2000	009225	220
P-R266A-EP-C #58	Propane	2000-3000	009229	220
P-R266A-EP-C #59	Propane	3000-5000	009233	220
P-R266A-EP-C #60	Propane	5000-7000	009237	220
P-R336A-EP-C #57	Propane	0-2000	009226	240
P-R336A-EP-C #58	Propane	2000-3000	009230	240
P-R336A-EP-C #59	Propane	3000-5000	009234	240
P-R336A-EP-C #60	Propane	5000-7000	009238	240
P-R406A-EP-C #57	Propane	0-2000	009227	260
P-R406A-EP-C #58	Propane	2000-3000	009231	260
P-R406A-EP-C #59	Propane	3000-5000	009235	260
P-R406A-EP-C #60	Propane	5000-7000	009239	260

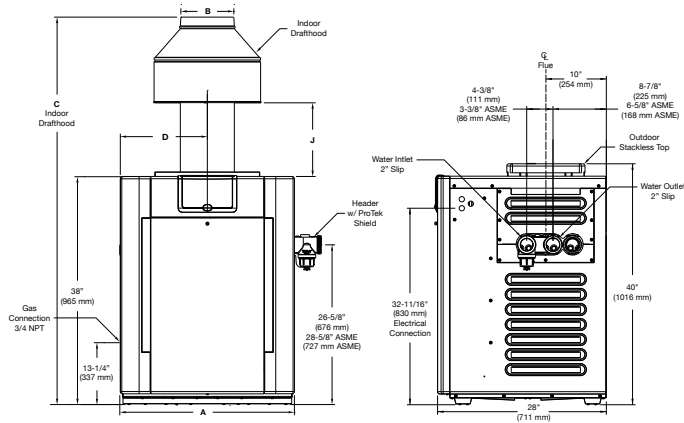
Outdoor top is standard.
For indoor top and other options, see page 26.



For Parts reference the Illustrated Parts List at the back of this products I&O Manual, or Scan Code

DIGITAL CUPRO-NICKEL 206A-406A

- ProTek Shield™ module
- LCD digital display provides accurate temperature
- Monitors operational status as well as service diagnostics
- High-wind resistance
- Corrosion-resistant headers
- Unitherm governor prevents condensation
- PVC plumbing directly to the heater
- Can be installed on combustible surface
- Cupro-nickel tubing



Heater Model	BTUH Input (000)	(A) Cabinet Width	(B) Flue Diameter	(C) Indoor Drafthood	(D)	(J) Minimum	Shipping Weights (lbs)	
							w/ Polymer Headers and Stackless Top	Indoor Drafthood
R206A	180.0	20"	6"	61-5/8"	10"	11-3/4"	200	12
R266A	240.0	23"	7"	62"	11-1/2"	11"	220	15
R336A	300.0	26"	8"	63"	13"	10-5/8"	240	17
R406A	360.0	29"	9"	64-1/2"	12-1/2"	12-1/8"	260	20

Dimensions are in inches.

MODEL	GAS	ELEVATION (feet)	PART NUMBER	SHIPPING WEIGHT (LBS)
P-R206A-EN-X #51	Natural	0-2000	014938	200
P-R206A-EN-X #52	Natural	2000-6000	014942	200
P-R206A-EN-X #53	Natural	6000-9000	014946	200
P-R266A-EN-X #51	Natural	0-2000	014939	220
P-R266A-EN-X #52	Natural	2000-6000	014943	220
P-R266A-EN-X #53	Natural	6000-9000	014947	220
P-R336A-EN-X #51	Natural	0-2000	014940	240
P-R336A-EN-X #52	Natural	2000-6000	014944	240
P-R336A-EN-X #53	Natural	6000-9000	014948	240
P-R406A-EN-X #51	Natural	0-2000	014941	260
P-R406A-EN-X #52	Natural	2000-6000	014945	260
P-R406A-EN-X #53	Natural	6000-9000	014949	260
P-R206A-EP-X #58	Propane	0-2000	014950	200
P-R206A-EP-X #59	Propane	2000-3000	014954	200
P-R206A-EP-X #60	Propane	3000-5000	014958	200
P-R206A-EP-X #61	Propane	5000-7000	014962	200
P-R266A-EP-X #58	Propane	0-2000	014951	220
P-R266A-EP-X #59	Propane	2000-3000	014955	220
P-R266A-EP-X #60	Propane	3000-5000	014959	220
P-R266A-EP-X #61	Propane	5000-7000	014963	220
P-R336A-EP-X #58	Propane	0-2000	014952	240
P-R336A-EP-X #59	Propane	2000-3000	014956	240
P-R336A-EP-X #60	Propane	3000-5000	014960	240
P-R336A-EP-X #61	Propane	5000-7000	014964	240
P-R406A-EP-X #58	Propane	0-2000	014953	260
P-R406A-EP-X #59	Propane	2000-3000	014957	260
P-R406A-EP-X #60	Propane	3000-5000	014961	260
P-R406A-EP-X #61	Propane	5000-7000	014965	260

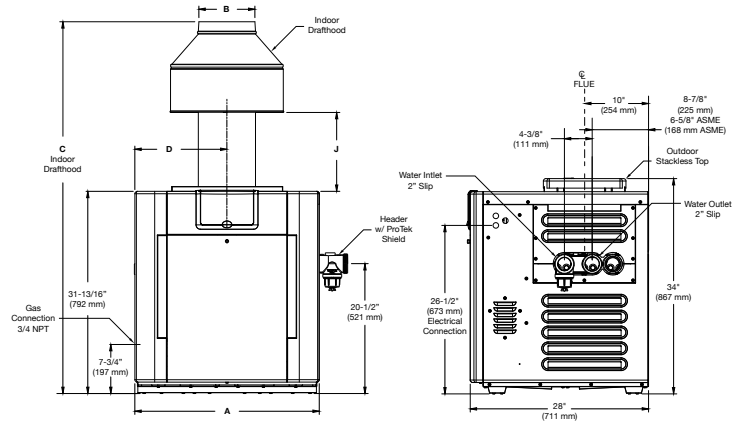
Outdoor top is standard.
For indoor top and other options, see page 26.



For Parts reference the Illustrated Parts List at the back of this products I&O Manual, or Scan Code

DIGITAL LOW NO_x COPPER 207A-407A

- ProTek Shield™ module
- LCD digital display provides accurate temperature
- Monitors operational status as well as service diagnostics
- High-wind resistance
- Corrosion-resistant headers
- Unitherm governor prevents condensation
- PVC plumbing directly to the heater
- Can be installed on combustible surface
- Complies with most NO_x requirements



Heater Model	BTUH Input (000)	(A) Cabinet Width	(B) Flue Diameter	(C) Indoor Drafthood	(D)	(J) Minimum	Shipping Weights (lbs)	
							w/ Polymer Headers and Stackless Top	Indoor Drafthood
R207A	199.5	20"	6"	55-5/8"	10"	11-3/4"	190	12
R267A	266.0	23"	7"	56"	11-1/2"	11"	210	15
R337A	332.5	26"	8"	57"	13"	10-5/8"	230	17
R407A	399.0	29"	9"	58-1/2"	12-1/2"	12-1/8"	260	20

Dimensions are in inches.

MODEL	GAS	ELEVATION (feet)	PART NUMBER	SHIPPING WEIGHT (LBS)
P-R207A-EN-C #26	Natural	0-5000	009240	190
P-R267A-EN-C #26	Natural	0-5000	009241	210
P-R337A-EN-C #26	Natural	0-5000	009242	230
P-R407A-EN-C #26	Natural	0-5000	009243	260

Not available for Propane gas.

Outdoor top is standard.

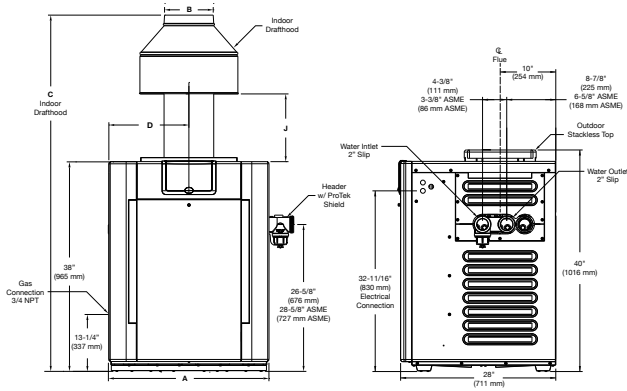
For indoor top and other options, see page 26.



For Parts reference the Illustrated Parts List at the back of this products I&O Manual, or Scan Code

MILLIVOLT COPPER 206A-406A

- ProTek Shield™ module
- High-wind resistance
- Corrosion-resistant headers
- PVC plumbing directly to the heater
- Unitherm governor prevents condensation
- Completely field serviceable
- Non-stop performance



Heater Model	BTUH Input (000)	(A) Cabinet Width	(B) Flue Diameter	(C) Indoor Drafthood	(J) Minimum	Gas Conn.	Water Conn.	Shipping Weights (lbs)	
								w/ Polymer Headers and Stackless Top	Indoor Drafthood
R206A	199.5	20"	6"	61-5/8"	11-7/8"	3/4"	2"	197	12
R266A	266.0	23"	7"	62"	11"	3/4"	2"	216	15
R336A	332.5	26"	8"	63"	10-5/8"	3/4"	2"	232	17
R406A	399.0	29"	9"	64-1/2"	12-5/16"	3/4"	2"	247	20

MODEL	GAS	ELEVATION (feet)	PART NUMBER	SHIPPING WEIGHT (LBS)
P-R206A-MN-C #50	Natural	0-2000	009192	197
P-R206A-MN-C #51	Natural	2000-6000	009196	197
P-R206A-MN-C #52	Natural	6000-9000	009842	197
P-R266A-MN-C #50	Natural	0-2000	009193	216
P-R266A-MN-C #51	Natural	2000-6000	009197	216
P-R266A-MN-C #52	Natural	6000-9000	009843	216
P-R336A-MN-C #50	Natural	0-2000	009194	232
P-R336A-MN-C #51	Natural	2000-6000	009198	232
P-R336A-MN-C #52	Natural	6000-9000	009844	232
P-R406A-MN-C #50	Natural	0-2000	009195	247
P-R406A-MN-C #51	Natural	2000-6000	009199	247
P-R406A-MN-C #52	Natural	6000-9000	009845	247
P-R206A-MP-C #57	Propane	0-2000	009200	197
P-R206A-MP-C #58	Propane	2000-3000	009204	197
P-R206A-MP-C #59	Propane	3000-5000	009208	197
P-R206A-MP-C #60	Propane	5000-7000	009212	197
P-R266A-MP-C #57	Propane	0-2000	009201	216
P-R266A-MP-C #58	Propane	2000-3000	009205	216
P-R266A-MP-C #59	Propane	3000-5000	009209	216
P-R266A-MP-C #60	Propane	5000-7000	009213	216
P-R336A-MP-C #57	Propane	0-2000	009202	232
P-R336A-MP-C #58	Propane	2000-3000	009206	232
P-R336A-MP-C #59	Propane	3000-5000	009210	232
P-R336A-MP-C #60	Propane	5000-7000	009214	232
P-R406A-MP-C #57	Propane	0-2000	009203	247
P-R406A-MP-C #58	Propane	2000-3000	009207	247
P-R406A-MP-C #59	Propane	3000-5000	009211	247
P-R406A-MP-C #60	Propane	5000-7000	009215	247

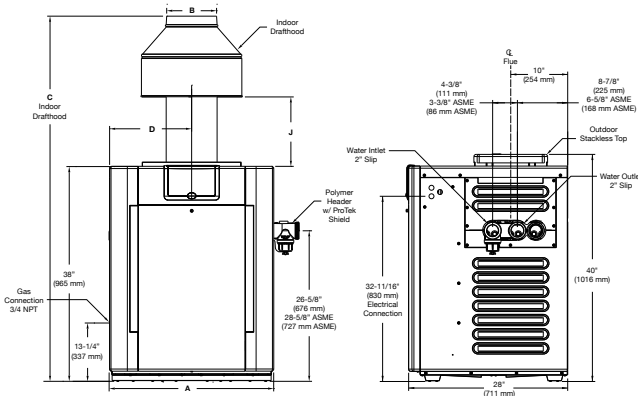
Outdoor top is standard.
For indoor top and other options, see page 26.



For Parts reference the Illustrated Parts List at the back of this products I&O Manual, or Scan Code

DIGITAL BRONZE ASME COPPER 206A-406A

- ProTek Shield™ module
- 2" bronze headers
- Unitherm governor eliminates condensation
- Small footprint
- 125# pressure relief valve included
- ANSI Z21.56 design certified
- Digital LCD for temperature control and heater settings
- Microprocessor controls diagnostic readout and continuously monitors operational status



Heater Model	BTUH Input (000)	(A) Cabinet Width	(B) Flue Diameter	(C) Indoor Drafthood	(D)	(J) Minimum	Shipping Weights (lbs)	
							w/ Bronze Headers and Stackless Top	Indoor Drafthood
R206A	199.5	20"	6"	61-5/8"	10	11-3/4"	206	14
R266A	266.0	23"	7"	62"	11-1/2	11"	229	16
R336A	332.5	26"	8"	63"	13	10-5/8"	249	19
R406A	399.0	29"	9"	64-9/16"	14-1/2	12-1/8"	268	21

Dimensions are in inches.

MODEL	GAS	ELEVATION (feet)	PART NUMBER	SHIPPING WT (LBS)
B-R206A-EN-C #50	Natural	0-1999	017371	206
B-R206A-EN-C #51	Natural	2000-5999	017375	206
B-R206A-EN-C #52	Natural	6000-8999	017379	206
B-R266A-EN-C #50	Natural	0-1999	017372	229
B-R266A-EN-C #51	Natural	2000-5999	017376	229
B-R266A-EN-C #52	Natural	6000-8999	017380	229
B-R336A-EN-C #50	Natural	0-1999	017373	249
B-R336A-EN-C #51	Natural	2000-5999	017377	249
B-R336A-EN-C #52	Natural	6000-8999	017381	249
B-R406A-EN-C #50	Natural	0-1999	017374	268
B-R406A-EN-C #51	Natural	2000-5999	017378	268
B-R406A-EN-C #52	Natural	6000-8999	017382	268
B-R206A-EP-C #57	Propane	0-1999	017383	206
B-R206A-EP-C #58	Propane	2000-2999	017387	206
B-R206A-EP-C #59	Propane	3000-4999	017391	206
B-R206A-EP-C #60	Propane	5000-6999	017395	206
B-R266A-EP-C #57	Propane	0-1999	017384	229
B-R266A-EP-C #58	Propane	2000-2999	017388	229
B-R266A-EP-C #59	Propane	3000-4999	017392	229
B-R266A-EP-C #60	Propane	5000-6999	017396	229
B-R336A-EP-C #57	Propane	0-1999	017385	249
B-R336A-EP-C #58	Propane	2000-2999	017389	249
B-R336A-EP-C #59	Propane	3000-4999	017393	249
B-R336A-EP-C #60	Propane	5000-6999	017397	249
B-R406A-EP-C #57	Propane	0-1999	017386	268
B-R406A-EP-C #58	Propane	2000-2999	017390	268
B-R406A-EP-C #59	Propane	3000-4999	017394	268
B-R406A-EP-C #60	Propane	5000-6999	017398	268

Outdoor top is standard.

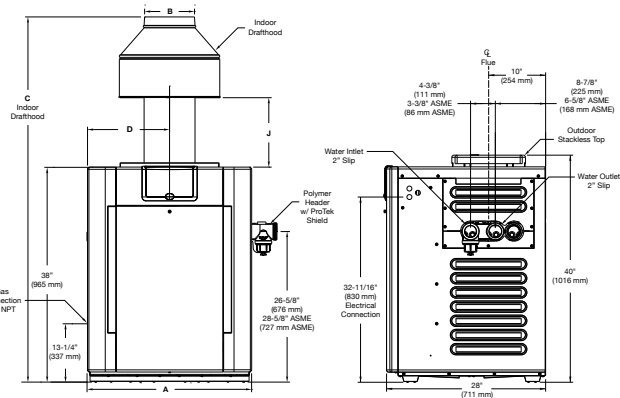
For indoor top and other options, see page 15.



For Parts reference the Illustrated Parts List at the back of this products I&O Manual, or Scan Code

DIGITAL BRONZE ASME CUPRO-NICKEL 206A-406A

- ProTek Shield™ module
- 2" bronze headers/Cupro-Nickel finned tubes
- Unitherm governor prevents condensation
- PVC plumbing directly to the heater
- 125# pressure relief valve included
- Can be installed on combustible surface
- Digital LCD for temperature control and heater settings
- Microprocessor controls diagnostic readout and continuously monitors operational status



Heater Model	BTUH Input (000)	(A) Cabinet Width	(B) Flue Diameter	(C) Indoor Drafthood	(D)	(J) Minimum	Shipping Weights (lbs)	
							w/ Bronze Headers and Stackless Top	Indoor Drafthood
R206A	199.5	20"	6"	61-5/8"	10	11-3/4"	206	14
R266A	266.0	23"	7"	62"	11-1/2	11"	229	16
R336A	332.5	26"	8"	63"	13	10-5/8"	249	19
R406A	399.0	29"	9"	64-9/16"	14-1/2	12-1/8"	268	21

MODEL	GAS	ELEVATION (feet)	PART NUMBER	SHIPPING WEIGHT (LBS)
B-R206A-EN-X #50	Natural	0-1999	017399	206
B-R206A-EN-X #51	Natural	2000-5999	017403	206
B-R206A-EN-X #52	Natural	6000-8999	017407	206
B-R266A-EN-X #50	Natural	0-1999	017400	229
B-R266A-EN-X #51	Natural	2000-5999	017404	229
B-R266A-EN-X #52	Natural	6000-8999	017408	229
B-R336A-EN-X #50	Natural	0-1999	017401	249
B-R336A-EN-X #51	Natural	2000-5999	017405	249
B-R336A-EN-X #52	Natural	6000-8999	017409	249
B-R406A-EN-X #50	Natural	0-1999	017402	268
B-R406A-EN-X #51	Natural	2000-5999	017406	268
B-R406A-EN-X #52	Natural	6000-8999	017410	268
B-R206A-EP-X #57	Propane	0-1999	017411	206
B-R206A-EP-X #58	Propane	2000-2999	017415	206
B-R206A-EP-X #59	Propane	3000-4999	017419	206
B-R206A-EP-X #60	Propane	5000-6999	017423	206
B-R266A-EP-X #57	Propane	0-1999	017412	229
B-R266A-EP-X #58	Propane	2000-2999	017416	229
B-R266A-EP-X #59	Propane	3000-4999	017420	229
B-R266A-EP-X #60	Propane	5000-6999	017424	229
B-R336A-EP-X #57	Propane	0-1999	017413	249
B-R336A-EP-X #58	Propane	2000-2999	017417	249
B-R336A-EP-X #59	Propane	3000-4999	017421	249
B-R336A-EP-X #60	Propane	5000-6999	017425	249
B-R406A-EP-X #57	Propane	0-1999	017414	268
B-R406A-EP-X #58	Propane	2000-2999	017418	268
B-R406A-EP-X #59	Propane	3000-4999	017422	268
B-R406A-EP-X #60	Propane	5000-6999	017426	268

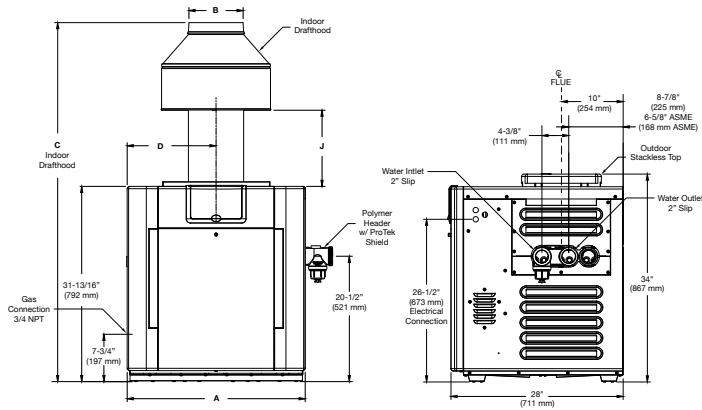
Outdoor top is standard.
For indoor top and other options, see page 15.



For Parts reference the Illustrated Parts List at the back of this products I&O Manual, or Scan Code

DIGITAL BRONZE LOW NO_x ASME COPPER 207A-407A

- ProTek Shield™ module
- 2" bronze headers
- High-wind reliability
- 125# pressure relief valve included
- Unitherm governor eliminates condensation
- ANSI Z21.56 design certified
- Digital LCD for temperature control and heater settings
- Microprocessor controls diagnostic readout and continuously monitors operational status



Heater Model	BTUH Input (000)	(A) Cabinet Width	(B) Flue Diameter	(C) Indoor Draft Hood	(D)	(J) Minimum	Shipping Weights (lbs)	
							w/ Bronze Headers and Stackless Top	Indoor Draft Hood
R207A	199.5	20"	6"	55-5/8"	10	11-3/4"	193	14
R267A	266.0	23"	7"	56"	11-1/2	11"	216	16
R337A	332.5	26"	8"	57"	13	10-5/8"	238	19
R407A	399.0	29"	9"	58-1/2"	14-1/2	12-1/2"	256	21

Dimensions are in inches.

MODEL	GAS	ELEVATION (feet)	PART NUMBER	SHIPPING WEIGHT (LBS)
B-R207A-EN-C #26	Natural	0-5000	017705	193
B-R267A-EN-C #26	Natural	0-5000	017706	216
B-R337A-EN-C #26	Natural	0-5000	017707	238
B-R407A-EN-C #26	Natural	0-5000	017708	256

Not available for propane gas.

Outdoor top is standard.

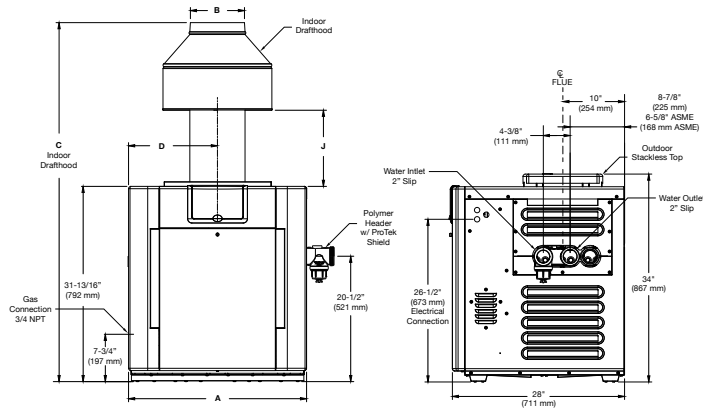
For indoor top and other options, see page 15.



For Parts reference the Illustrated Parts List at the back of this products I&O Manual, or Scan Code

DIGITAL BRONZE LOW NO_x ASME CUPRO-NICKEL 207A-407A

- ProTek Shield™ module
- 2" bronze headers/Cupro-Nickel finned tubes
- High-wind reliability
- 125# pressure relief valve
- ANSI Z21.56 design certified
- Unitherm governor eliminates condensation
- Digital LCD for temperature control and heater settings
- Microprocessor controls diagnostic readout and continuously monitors operational status



Heater Model	BTUH Input (000)	(A) Cabinet Width	(B) Flue Diameter	(C) Indoor Draft Hood	(D)	(J) Minimum	Shipping Weights (lbs)	
							w/ Bronze Headers and Stackless Top	Indoor Draft Hood
R207A	199.5	20"	6"	55-5/8"	10	11-3/4"	193	14
R267A	266.0	23"	7"	56"	11-1/2"	11"	216	16
R337A	332.5	26"	8"	57"	13	10-5/8"	238	19
R407A	399.0	29"	9"	58-1/2"	14-1/2"	12-1/2"	256	21

MODEL	GAS	ELEVATION (feet)	PART NUMBER	SHIPPING WEIGHT (LBS)
B-R207A-EN-X #26	Natural	0-5000	017709	193
B-R267A-EN-X #26	Natural	0-5000	017710	216
B-R337A-EN-X #26	Natural	0-5000	017711	238
B-R407A-EN-X #26	Natural	0-5000	017712	256

Not available for propane gas.

Outdoor top is standard.

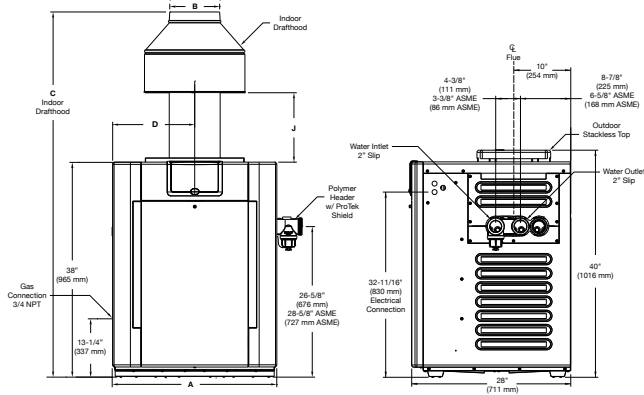
For indoor top and other options, see page 15.



For Parts reference the Illustrated Parts List at the back of this products I&O Manual, or Scan Code

MILLIVOLT BRONZE ASME COPPER 206A-406A

- ProTek Shield™ module
- 2" bronze headers
- Unitherm Plus eliminates condensation
- Small footprint
- High-wind reliability
- 125# pressure relief valve
- ANSI Z21.56 design certified



Heater Model	BTUH Input (000)	(A) Cabinet Width	(B) Flue Diameter	(C) Indoor Drafthood	(D)	(J) Minimum	Shipping Weights (lbs)	
							w/ Bronze Headers and Stackless Top	Indoor Drafthood
R206A	199.5	20"	6"	61-5/8"	10	11-3/4"	206	14
R266A	266.0	23"	7"	62"	11-1/2	11"	229	16
R336A	332.5	26"	8"	63"	13	10-5/8"	249	19
R406A	399.0	29"	9"	64-9/16"	14-1/2	12-1/8"	268	21

MODEL	GAS	ELEVATION (feet)	PART NUMBER	SHIPPING WEIGHT (LBS)
B-R206A-MN-C #50	Natural	0-1999	017343	206
B-R206A-MN-C #51	Natural	2000-5999	017347	206
B-R206A-MN-C #52	Natural	6000-8999	017351	206
B-R266A-MN-C #50	Natural	0-1999	017344	229
B-R266A-MN-C #51	Natural	2000-5999	017348	229
B-R266A-MN-C #52	Natural	6000-8999	017352	229
B-R336A-MN-C #50	Natural	0-1999	017345	249
B-R336A-MN-C #51	Natural	2000-5999	017349	249
B-R336A-MN-C #52	Natural	6000-8999	017353	249
B-R406A-MN-C #50	Natural	0-1999	017346	268
B-R406A-MN-C #51	Natural	2000-5999	017350	268
B-R406A-MN-C #52	Natural	6000-8999	017354	268
B-R206A-MP-C #57	Propane	0-1999	017355	206
B-R206A-MP-C #58	Propane	2000-2999	017359	206
B-R206A-MP-C #59	Propane	3000-4999	017363	206
B-R206A-MP-C #60	Propane	5000-6999	017367	206
B-R266A-MP-C #57	Propane	0-1999	017356	229
B-R266A-MP-C #58	Propane	2000-2999	017360	229
B-R266A-MP-C #59	Propane	3000-4999	017364	229
B-R266A-MP-C #60	Propane	5000-6999	017368	229
B-R336A-MP-C #57	Propane	0-1999	017357	249
B-R336A-MP-C #58	Propane	2000-2999	017361	249
B-R336A-MP-C #59	Propane	3000-4999	017365	249
B-R336A-MP-C #60	Propane	5000-6999	017369	249
B-R406A-MP-C #57	Propane	0-1999	017358	268
B-R406A-MP-C #58	Propane	2000-2999	017362	268
B-R406A-MP-C #59	Propane	3000-4999	017366	268
B-R406A-MP-C #60	Propane	5000-6999	017370	268

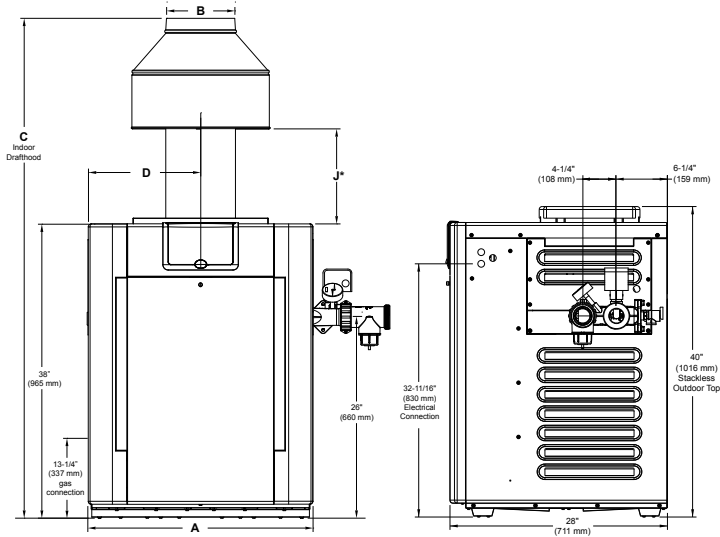
Outdoor top is standard.
For indoor top and other options, see page 15.



For Parts reference the Illustrated Parts List at the back of this products I&O Manual, or Scan Code

PROFESSIONAL ASME BRONZE CUPRO-NICKEL 268 & 408

- ProTek Shield™ module
- Flow switch and T&P gauge-standard
- 125# pressure relief valve
- 3 year warranty
- 2" bronze headers/Cupro-Nickel finned tubes
- Digital LCD for temperature control and heater settings
- Stainless steel burner tray, base, flue collector
- Microprocessor controls diagnostic readout and continuously monitors operational status



Heater Model	BTUH Input (000)	(A) Cabinet Width	(B) Flue Diameter	(C) Indoor Drafthood	(D) Minimum	(J) Minimum	Gas Conn.	Water Conn.	Shipping Weights (lbs)	
									w/ Bronze Headers and Stackless Top	Indoor Drafthood
R268A	266.0	23"	7"	62"	11-1/2"	11"	3/4"	2"	229	16
R408A	399.0	29"	9"	64-9/16"	14-1/2"	12-1/8"	3/4"	2"	268	21

MODEL	GAS	ELEVATION (feet)	PART NUMBER	SHIPPING WEIGHT (LBS)
B-R268-EN-X #50	Natural	0-1999	013729	255
B-R268-EN-X #51	Natural	2000-5999	013739	255
B-R268-EN-X #52	Natural	6000-8999	013740	255
B-R408-EN-X #50	Natural	0-1999	013731	274
B-R408-EN-X #51	Natural	2000-5999	013744	274
B-R408-EN-X #52	Natural	6000-8999	013745	274
B-R268-EP-X #57	Propane	0-1999	013730	255
B-R268-EP-X #58	Propane	2000-2999	013741	255
B-R268-EP-X #59	Propane	3000-4999	013742	255
B-R268-EP-X #60	Propane	5000-6999	013743	255
B-R408-EP-X #57	Propane	0-1999	013732	274
B-R408-EP-X #58	Propane	2000-2999	013746	274
B-R408-EP-X #59	Propane	3000-4999	013747	274
B-R408-EP-X #60	Propane	5000-6999	013748	274

Outdoor top is standard.
For indoor top and other options, see page 15.



For Parts reference the Illustrated Parts List at the back of this products I&O Manual, or Scan Code

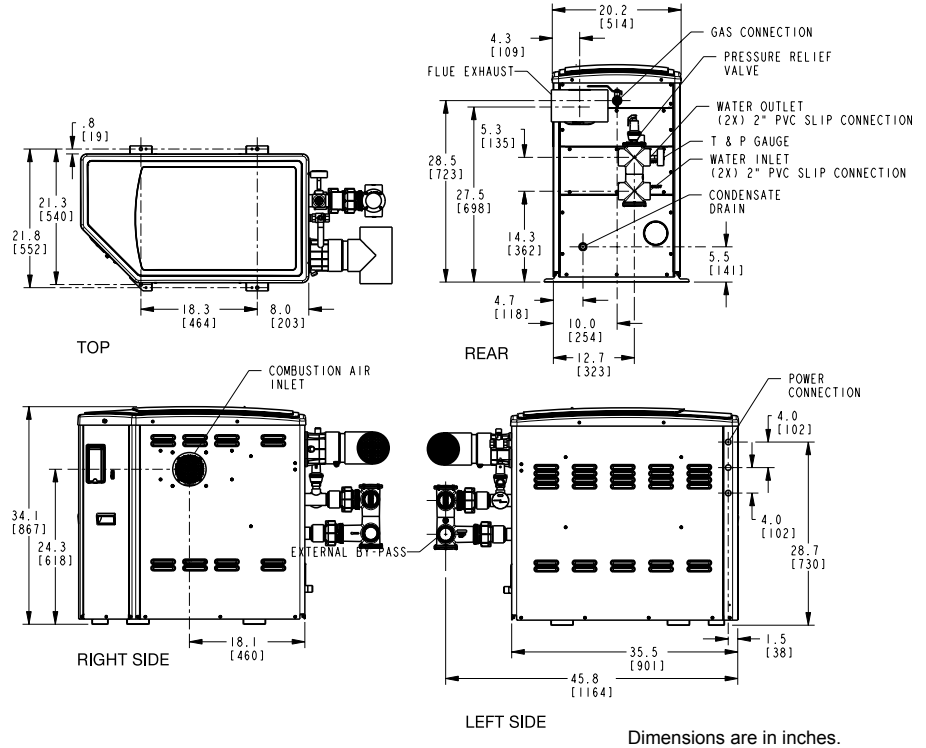
ASME OPTIONS AND KITS

PART SHIPPING LIST

MODEL	DESCRIPTION	PART NUMBER	SHIPPING WEIGHT (lbs)
HOSE ADAPTORS			
206A-207A	2" MPT TO 1 1/2" HOSE	006490	SET OF 2
POOLSTAT COVER/LOCK KIT			
206A-267A		009505	2
Note: Use on heaters with Electronic Ignition only.			
D-2: POWER VENT - INDOOR			
206A/267A	240V IID ONLY	009832	36
R268	240V IID ONLY	009832	36
206A/267A	120V IID ONLY	010744	36
R268	120V IID ONLY	010744	36
336A/407A	240V IID ONLY	009833	39
R408	240V IID ONLY	009833	39
336A/407A	120V IID ONLY	010745	39
R408	120V IID ONLY	010745	39
Note: Power vents are shipped loose for field installation and wiring.			
D-10: RESIDENTIAL POOL HEATER INDOOR DRAFTHOODS			
206A/207A	INDR STACK TOP 6"	009838	14
266A/267A	INDR STACK TOP 7"	009839	16
R268	INDR STACK TOP 7"	009839	16
336A/337A	INDR STACK TOP 8"	009840	19
406A/407A	INDR STACK TOP 9"	009841	21
R408	INDR STACK TOP 9"	009841	21
406A/407A	ADAPTOR 9"X 10"	010781	5
R408	ADAPTOR 9"X 10"	010781	5
Note: Adaptor 9" x 10" used to connect to standard 10" flue.			
D-11: RESIDENTIAL POOL HEATER STACKLESS TOPS - SHIPPED WITH HEATER			
D-13: RESIDENTIAL POOL HEATER HIGH WIND TOPS			
206A/207A	INDR STACK TOP 6"	009834	20
266A/267A	INDR STACK TOP 7"	009835	20
R268	INDR STACK TOP 7"	009835	20
336A/337A	INDR STACK TOP 8"	009836	25
406A/407A	INDR STACK TOP 9"	009837	25
R408	INDR STACK TOP 9"	009837	25
F-2: FLOW SWITCH/T&P GAUGE KIT			
206A-407A	IID ONLY	013969	4
X-10: RESTRAINT BRACKET			
206A-406A, 207A-407A		011636	
R268 & R408			
PROTEK SHIELD REPLACEMENT KIT			
206A-406A, 207A-407A, 264 & 404		017960F	2
PROTEK SHIELD BULK (25PK) REPLACEMENT KIT			
206A-406A, 207A-407A, 264 & 404		018847F	67
PROTEK SHIELD ASME ADAPTER KIT			
206A-406A, 207A-407A		018006F	3

X94 PROFESSIONAL 410

- 94% thermal efficiency
- ASME stainless steel heat exchanger
- Small footprint
- External bypass
- Cat IV vent - PVC, CPVC, Polypropylene, Stainless
- T&P and flow switch standard
- All connections on rear
- Easily nest units together
- 3 year warranty commercial installations
- Low NOx



MODEL	GAS	ELEVATION (feet)	PART NUMBER	SHIPPING WEIGHT (LBS)
S-R410-EN ASME	Natural	0-4500	014280	300
S-R410-EP ASME	Propane	0-4500	014281	300

X94 PROFESSIONAL 410 OPTIONS

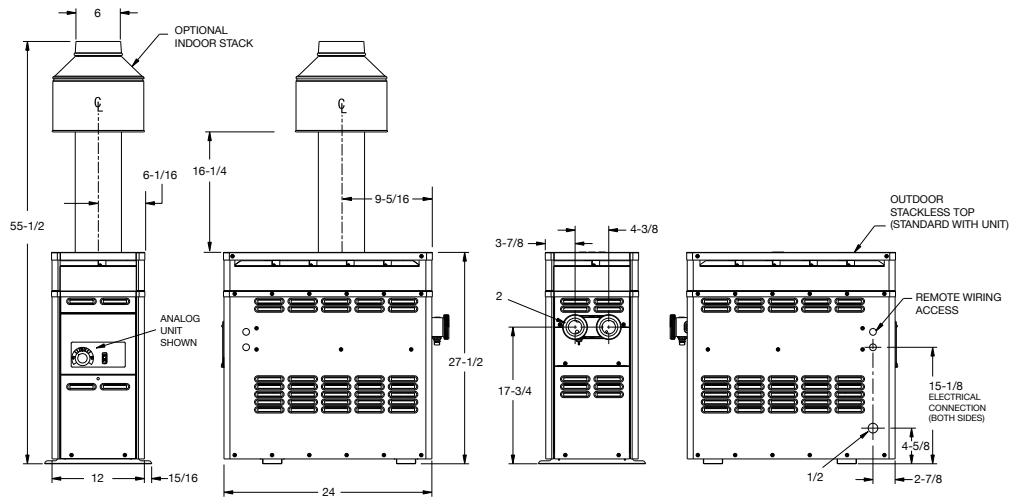
MODEL	DESCRIPTION	PART NUMBER	SHIPPING WEIGHT (LBS)
D-11: VENT TERMINATION TEE			
410	STAINLESS STEEL TEE 4"	015361	5
410	PVC TEE 4"	015451	5
Z-12: CONDENSATE TREATMENT KIT			
410	600 (MBH)	015199	5



For Parts reference the Illustrated Parts List at the back of this products I&O Manual, or Scan Code

ANALOG 106A

- Pool, Spa or above-ground pool heater
- 105,000btu Input
- Natural or propane gas
- Completely field serviceable
- Small footprint (2 square feet)
- 120V power cord, 3-prong connection
- Automatic water bypass
- Analog thermostat



Dimensions are in inches.

MODEL	GAS	ELEVATION (feet)	PART NUMBER	SHIPPING WEIGHT (LBS)
P-R106A-AN-C	Natural	0-4999	014779	85
P-R106A-AN-C	Natural	5000-9999	014780	85
P-R106A-AP-C	Propane	0-1999	014781	85
P-R106A-AP-C	Propane	2000-3999	014782	85
P-R106A-AP-C	Propane	4000-6999	014783	85
P-R106A-AP-C	Propane	7000-10000	015102	85

Outdoor top is standard.

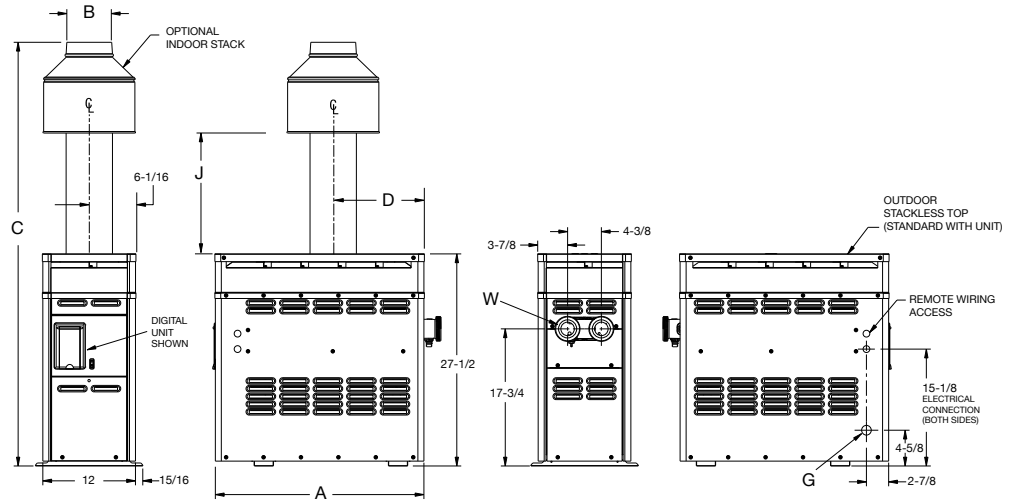
For indoor top and other options, see page 26.



For Parts reference the Illustrated Parts List at the back of this products I&O Manual, or Scan Code

DIGITAL156A

- Pool or Spa heater
- 150,000btu Input
- Natural or propane gas
- Completely field serviceable
- Small footprint (2.25 square feet)
- 120V power cord, 3-prong connection
- Automatic water bypass
- Digital thermostat



Dimensions are in inches.

MODEL	GAS	ELEVATION (feet)	PART NUMBER	SHIPPING WEIGHT (LBS)
P-R156A-EN-C	Natural	0-4999	014784	100
P-R156A-EN-C	Natural	5000-9999	014785	100
P-R156A-EP-C	Propane	0-1999	014786	100
P-R156A-EP-C	Propane	2000-3999	014787	100
P-R156A-EP-C	Propane	4000-6999	014788	100
P-R156A-EP-C	Propane	7000-10000	015103	100

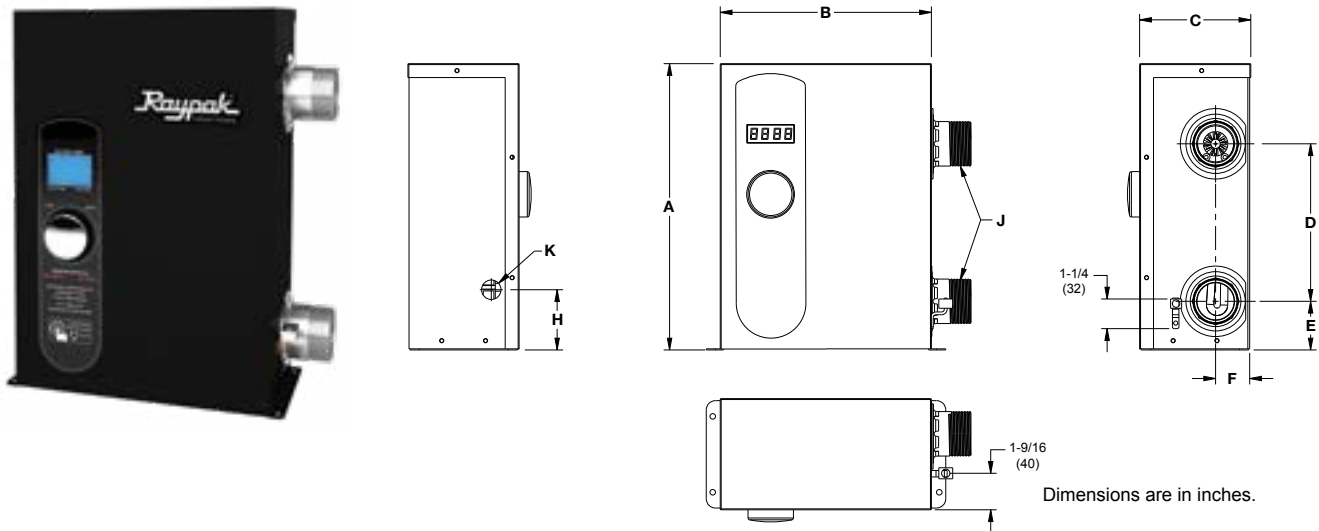
Outdoor top is standard.
For indoor top and other options, see page 26.



For Parts reference the Illustrated Parts List at the back of this products I&O Manual, or Scan Code

E3T: ELECTRIC 3-SERIES TITANUM 5.5-27kW

- 5.5, 11, 18 and 27 kilowatt models
- 240-volt single-phase electrical
- Compact design and small footprint
- Long lasting titanium elements
- Full size - full flow 1-1/2" or 2" plumbing connections
- Indoor and outdoor rated
- Easy diagnostics with clearly defined error codes and GPM display functionality
- Remote control ready
- Uses Triacs instead of contactors- more reliable, less noisy and longer lasting



Model	BTUH (INPUT)	A	B	C	D	E	F	H	J Water Conn.	K
0005	18,767	12-1/8	9	4-3/4	6-11/16	2-1/16	1-7/16	2-9/16	1-1/2"	13/16
0011	37,534	12-1/8	9	4-3/4	6-11/16	2-1/16	1-7/16	2-9/16	1-1/2"	13/16
0018	61,419	16-1/2	11-1/8	5-7/16	10-9/16	2-5/16	1-5/8	2-11/16	2"	1-1/16
1127	92,128	16-1/2	11-1/8	5-7/16	10-9/16	2-5/16	1-5/8	2-11/16	2"	1-1/16

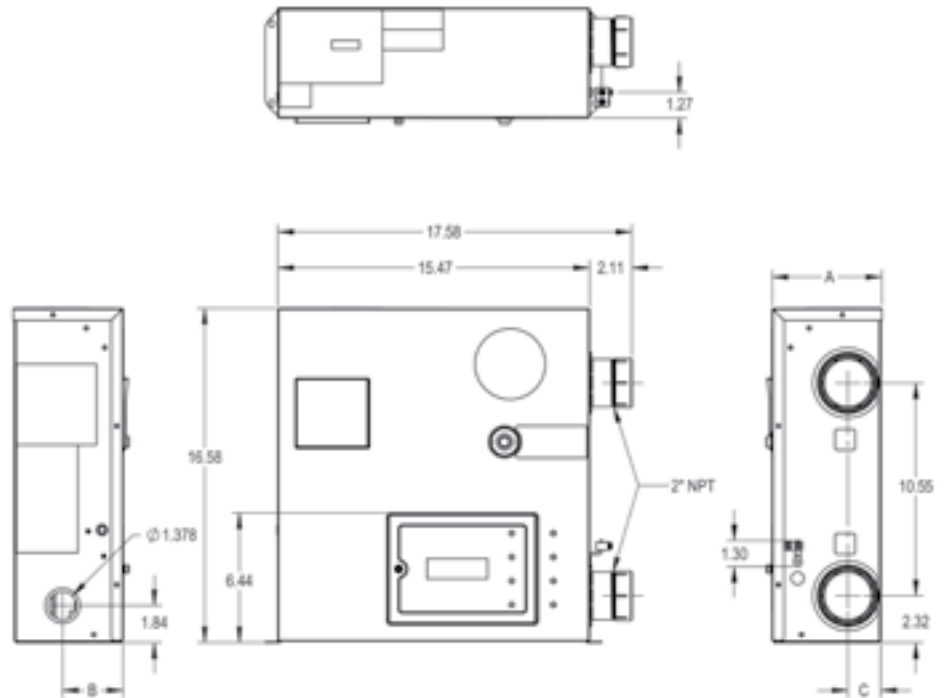
MODEL	BTUH	VOLTAGE	PART NUMBER	SHIPPING WEIGHT (LBS)
ELS-R-0005-1-T1	18,767	240V/60Hz	017121	15
ELS-R-0011-1-T1	37,534	240V/60Hz	017122	16
ELS-R-0018-1-T1	61,419	240V/60Hz	017123	24
ELS-R-0027-1-T1	92,128	240V/60Hz	017124	30



For Parts reference the Illustrated Parts List at the back of this products I&O Manual, or Scan Code

E3T 3-PHASE – TYPE P

- Quiet Operation
- Solid State Relays
- Inlet/Outlet Sensors
- Fuse Access Door
- 2" NPT Unions Included
- Certified to CEC Title 20



Dimensions are in inches.

TABULATION TABLE			
MODEL	A	B	C
3 ELEMENT	5.45 IN	3.01 IN	1.63 IN
6 ELEMENT	7.74 IN	4.00 IN	2.78 IN

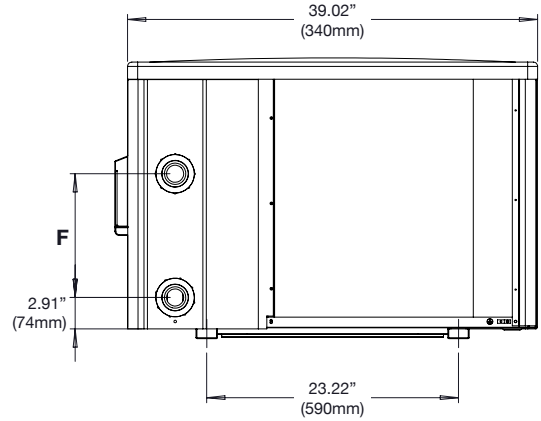
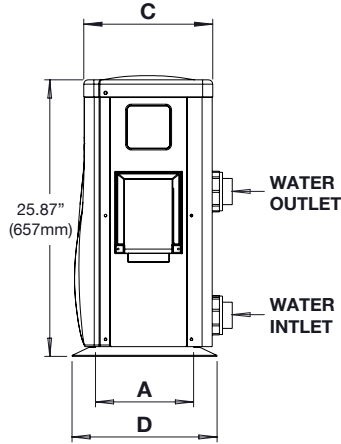
MODEL	BTUH	VOLTAGE	PART NUMBER	SHIPPING WEIGHT (LBS)
ELS-R-0018-3-TI	61,419	208V	019141	41.9
ELS-R-0018-4-TI	61,419	480V	019142	41.4
ELS-R-0024-3-TI	81,891	208V	019143	41.9
ELS-R-0024-4-TI	81,891	480V	019144	41.4
ELS-R-0030-3-TI	102,364	208V	019145	59.5
ELS-R-0030-4-TI	102,364	480V	019146	57.2
ELS-R-0045-4-TI	153,546	480V	019147	58.7
ELS-R-0054-4-TI	184,255	480V	019148	58.7



For Parts reference the Illustrated Parts List at the back of this products I&O Manual, or Scan Code

CROSSWIND 50-I & 65-I

- Energy efficient inverter technology
- Spiral titanium heat exchanger
- LCD display digital control
- Heat and Cool mode
- Whisper quiet operation
- Weatherproof plastic jacket



All water connections are 1-1/2" PVC unions.

Model	BTUH / C.O.P. (80,80,80*)	BTUH / C.O.P. (80,63,80*)	BTUH / C.O.P. (50,63,80*)	Electrical Input (kW)	Water Flow gpm (LPM)	Minimum Circuit (Amps)	Maximum Breaker Size (Amps)	Dimensions In. (mm)				Ship Weight lbs. (kg)
								A	C	D	F	
50-I	44,750 / 6.1	42,500 / 5.8	21,000 / 4.2	1.28	21.9-30.6 (83-116)	16	20	12.40 (315)	12.28 (312)	13.39 (340)	12.99 (330)	115 (52)
65-I	61,000 / 5.7	57,650 / 5.3	24,500 / 4.1	1.55	28.5-37.5 (108-142)	20	25	15.55 (395)	15.35 (390)	16.54 (420)	14.17 (360)	137 (62)

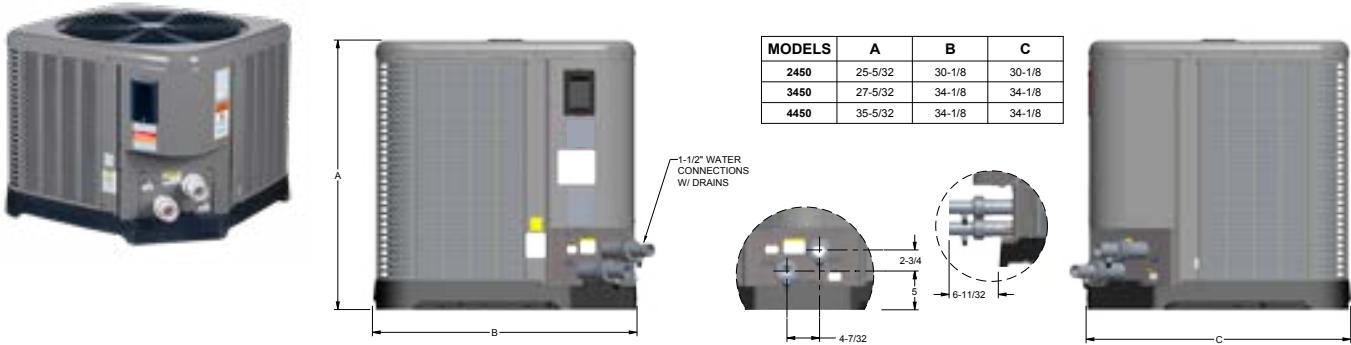
MODEL	BTUH	VOLTAGE	PART NUMBER	SHIPPING WEIGHT (LBS)
50-I-R	50,000	208/230V-60Hz	017740	132
65-I-R	65,000	208/230V-60Hz	017741	157



For Parts reference the Illustrated Parts List at the back of this products I&O Manual, or Scan Code

HEAT PUMP-DIGITAL 2450ti, 3450ti, 4450ti

- Metal cabinet
- Low RPM fan motor for quiet operation
- ABS base - sound reduction
- New digital control – mini automation
- 1-1/2" PVC connection unions supplied
- 2 year labor/7 year parts



Dimensions are in inches.

Model	BTUH / C.O.P. (80,80,80*)	BTUH / C.O.P. (80,63,80*)	BTUH / C.O.P. (50,63,80*)	Electrical Input (kW)	Water Flow gpm (LPM)	Minimum Circuit (Amps)	Maximum Breaker Size (Amps)	Ship Weight lbs. (kgs)
R2450ti	48,000 / 5.7	46,000 / 5.5	31,000 / 3.7	2.3	20-40 (76-151.4)	22	35	211 (96)
R3450ti	62,000 / 5.7	60,000 / 5.5	43,000 / 4.0	3.2	20-40 (76-151.4)	29	50	268 (122)
R4450ti	80,000 / 6.0	77,000 / 5.8	55,000 / 4.0	3.9	20-40 (76-151.4)	32	50	300 (136)

All models 208-230VAC, 1-Ph, 60 Hz. All models use R-410A refrigerant.
*Tested to AHRI 1160.



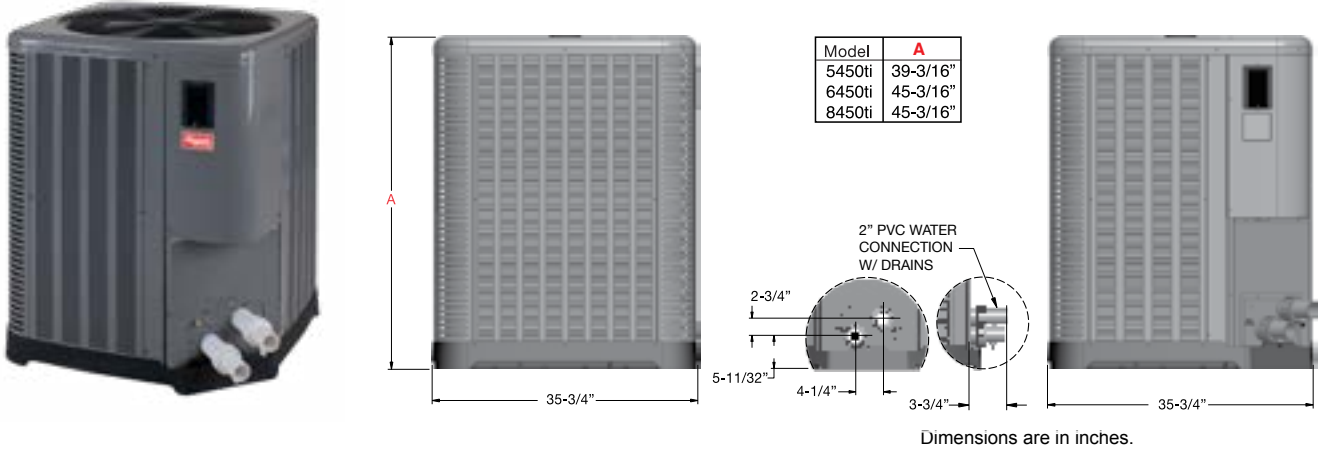
MODEL	BTUH	PART NUMBER	SHIPPING WEIGHT (LBS)
R2450ti-E Scroll compressor, digital thermostat, Ti heat exchanger, small cabinet.	48,000	TWPH-2450EHT08	211
R3450ti-E Scroll compressor, digital thermostat, Ti heat exchanger, small cabinet.	62,000	TWPH-3450EHT08	268
R4450ti-E Scroll compressor, digital thermostat, Ti heat exchanger, small cabinet.	80,000	TWPH-4450EHT08	300



For Parts reference the Illustrated Parts List at the back of this products I&O Manual, or Scan Code

HEAT PUMP-DIGITAL 5450ti, 6450ti, 8450ti

- Metal cabinet
- Low RPM fan motor for quiet operation
- ABS base - sound reduction
- New digital control – mini automation
- 2" PVC connection unions supplied
- 2 year labor/7 year parts



Model	BTUH / C.O.P. (80,80,80*)	BTUH / C.O.P. (80,63,80*)	BTUH / C.O.P. (50,63,80*)	Electrical Input (kW)	Water Flow gpm (LPM)	Minimum Circuit Size (Amps)	Maximum Breaker Size (Amps)	Ship Weight lbs. (kgs)
R5450ti	103,000 / 6.0	97,000 / 5.7	65,000 / 4.0	5	30-60 (113.6-227)	30	60	264 (120)
R6450ti	119,000 / 5.9	113,000 / 5.7	72,000 / 4.0	5.9	30-60 (113.6-227)	34	60	341 (155)
R8450ti	140,000 / 5.6	130,000 / 5.3	84,000 / 4.0	7.3	30-60 (113.6-227)	42	60	423 (192)

All models 208-230VAC, 1-Ph, 60 Hz. All models use R-410A refrigerant.
*Tested to AHRI 1160.



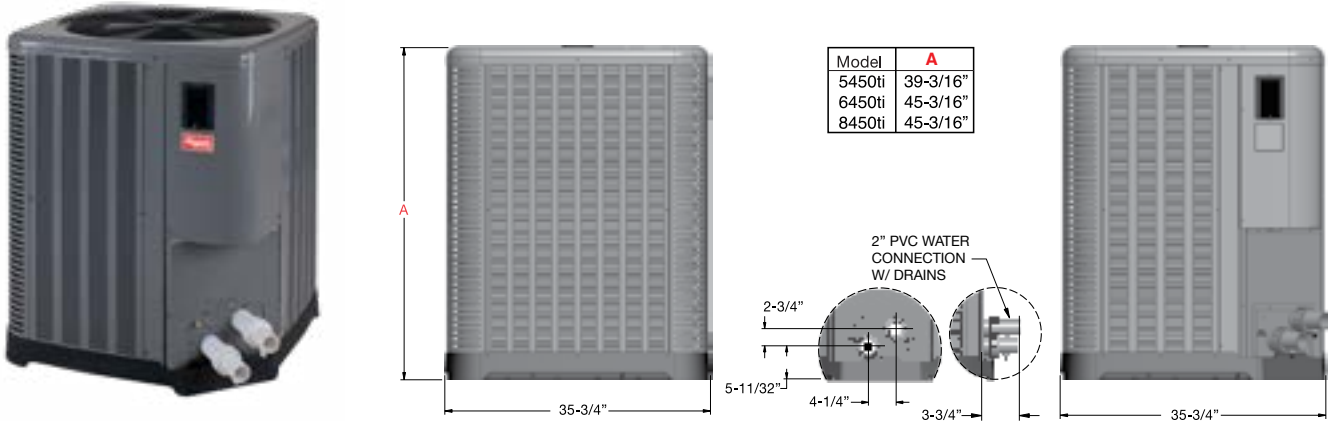
MODEL	BTU	PART NUMBER	SHIPPING WEIGHT (LBS)
R5450ti-E Scroll compressor, digital thermostat, Ti heat exchanger, painted classic cabinet.	103,000	TWPH-5450EHT08	264
R6450ti-E Scroll compressor, digital thermostat, Ti heat exchanger, painted classic cabinet.	119,000	TWPH-6450EHT08	341
R8450ti-E Scroll compressor, digital thermostat, Ti heat exchanger, painted classic cabinet.	140,000	TWPH-8450EHT08	423



For Parts reference the Illustrated Parts List
at the back of this products I&O Manual,
or Scan Code

HEAT PUMP-DIGITAL 6450ti-E-PD, 6450ti-E-HC, 8450ti-E-HC

- Metal cabinet
- Low RPM fan motor for quiet operation
- ABS base - sound reduction
- New digital control – mini automation
- 2" PVC connection unions supplied
- Heat or cool or auto, power defrost cycle



Dimensions are in inches.

Model	BTUH / C.O.P. (80,80,80*)	BTUH / C.O.P. (80,63,80*)	BTUH / C.O.P. (50,63,80*)	Electrical Input (kW)	Water Flow gpm (LPM)	Minimum Circuit Size (Amps)	Maximum Breaker Size (Amps)	Ship Weight lbs. (kgs)
R6450ti-PD	119,000 / 5.9	113,000 / 5.7	72,000 / 4.0	5.9	30-60 (113.6-227)	34	60	351 (159)
R6450ti-HC	115,000 / 5.9	109,000 / 5.7	72,000 / 4.0	5.7	30-60 (113.6-227)	34	60	354 (161)
R8450ti-HC	137,000 / 5.3	129,000 / 5.2	86,000 / 4.0	7.6	30-60 (113.6-227)	42	60	413 (187)

All models 208-230VAC, 1-Ph, 60 Hz. All models use R-410A refrigerant.
 PD = power defrost model. HC = heat/cool model.
 *Tested to AHRI 1160.



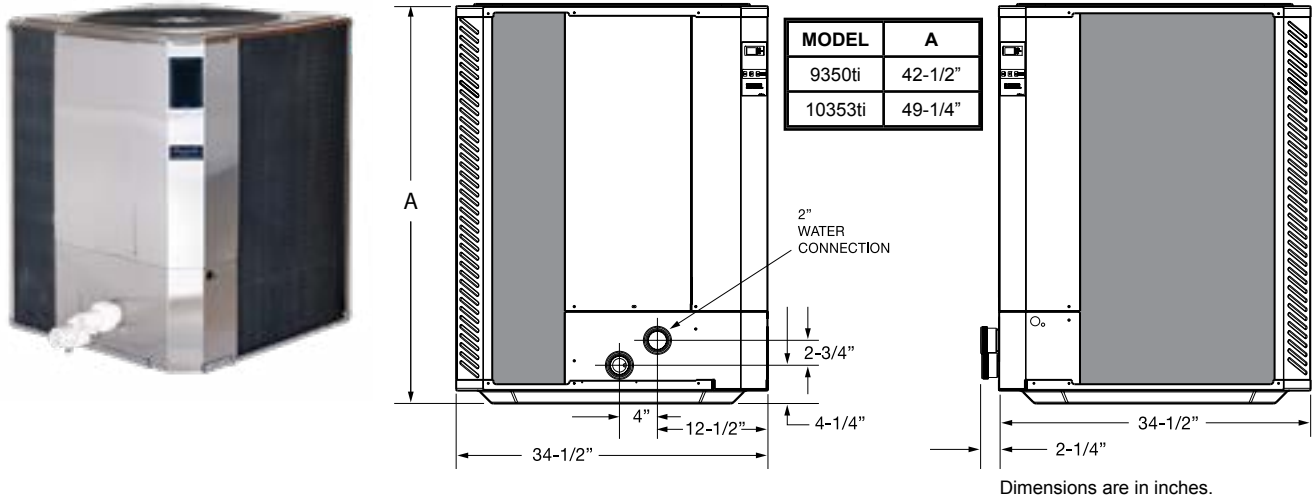
MODEL	BTU	PART NUMBER	SHIPPING WEIGHT (LBS)
R6450ti-E-PD Scroll compressor, digital thermostat, Ti heat exchanger, classic cabinet, power defrost.	119,000	TWPH-6450EPD08	351
R6450ti-E-HC Scroll compressor, digital thermostat, Ti heat exchanger, classic cabinet, heat cool.	115,000	TWPH-6450EHC08	354
R8450ti-E-HC Scroll compressor, digital thermostat, Ti heat exchanger, classic cabinet, heat cool.	137,000	TWPH-8450EHC08	413



For Parts reference the Illustrated Parts List at the back of this products I&O Manual, or Scan Code

PROFESSIONAL HEAT PUMP 9350ti, 9353ti, 10353ti, 10354ti

- Stainless steel cabinet
- Titanium Heat Exchanger
- Scroll Compressor
- 2" PVC connection unions supplied
- 2 year labor, 7 year parts - commercial warranty
- Digital control with micro processor



Model	BTUH / C.O.P. (80,80,80*)	BTUH / C.O.P. (80,63,80*)	C.O.P. (50,63,80*)	Electrical Input (kW)	Water Flow gpm (LPM)	Minimum Circuit Size (Amps)	Maximum Breaker Size (Amps)	Ship Weight lbs. (kgs)
PS9350ti-E-HC	140,000 / 6.1	133,000 / 5.8	4.0	6.7	30-60 (113.6-227)	42	60	363 (165)
PS9353ti-E-HC	140,000 / 6.1	133,000 / 5.8	4.0	6.7	30-60 (113.6-227)	34	50	363 (165)
PS10353ti-E-HC	170,000 / 5.8	155,000 / 5.3	4.0	8.6	30-60 (113.6-227)	42	70	445 (202)
PS10354ti-E-HC	170,000 / 5.8	155,000 / 5.3	4.0	8.6	30-60 (113.6-227)	26	40	450 (204)
PS10355ti-E-HC	170,000 / 5.8	155,000 / 5.3	4.0	8.6	30-60 (113.6-227)	29	45	450 (204)

*Tested to AHRI 1160

**All models comply with Florida 4.0 minimum C.O.P. requirement.



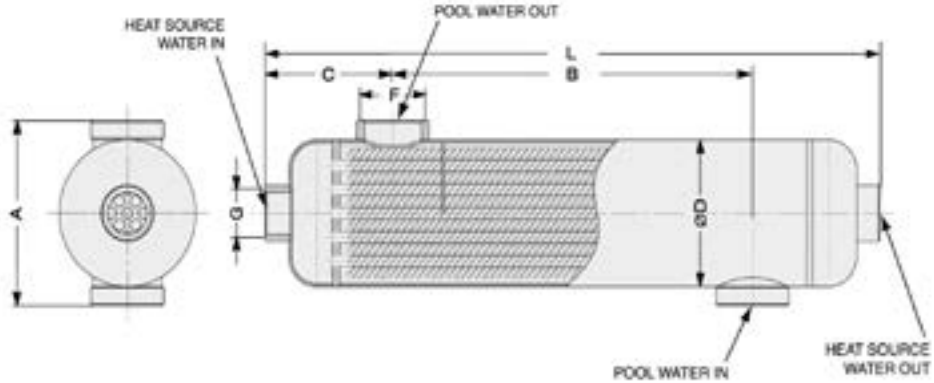
MODEL	BTU	PART NUMBER	SHIPPING WEIGHT (LBS)
PS9350ti-E-HC 208V, Scroll compressor, digital thermostat, Ti heat exchanger, classic cabinet, 1 PH, heat cool.	140,000	TWPH-9350EHC17	363
PS9353ti-E-HC 208V, Scroll compressor, digital thermostat, Ti heat exchanger, classic cabinet, 3 PH, heat cool.	140,000	TWPH-9353EHC17	363
PS10353ti-E-HC 208V, Scroll compressor, digital thermostat, Ti heat exchanger, classic cabinet, 3 PH, heat cool.	170,000	TWPH-10353EHC17	445
PS10354ti-E-HC 460V, Scroll compressor, digital thermostat, Ti heat exchanger, classic cabinet, 3 PH heat cool.	170,000	TWPH-10354EHC17	450
PS10355ti-E-HC 380V, Scroll compressor, digital thermostat, Ti heat exchanger, classic cabinet, 3 PH heat cool.	170,000	TWPH-10355EHC17	450



For Parts reference the Illustrated Parts List at the back of this products I&O Manual, or Scan Code

INDIRECT HEAT EXCHANGERS

- Choice of SS316L or B Ti Super Alloy
- SS316L-Tube side 235psi/Shell side 190psi 406°F
- B Ti-Tube side 150psi/Shell side 150psi 406°F
- ASME B31.3 Process Piping Code
- Compact Dimensions



Dimensions are in inches.

Models		Nominal capacity* BTU/hour	Dimensions (inches)							
SS316L	B Ti** Super Alloy		A	B	C	Pool Conn NPT F	Boiler Conn NPT G	Length L	Diameter Ø D	Heat Transfer Area (sq. ft.)
RP-045		45,000	4-3/16	4-3/8	3-1/16	1	3/4	10-7/16	3-1/8	1.62
RP-075		75,000	4-3/16	6-7/8	3-5/16	1-1/2	3/4	13-9/16	3-1/8	2.64
RP-125		125,000	4-3/16	8-7/8	3-5/16	1-1/2	3/4	15-1/2	3-1/8	3.64
RP-185		185,000	5	7-5/8	3-3/8	1-1/2	1	14-3/8	4	4.70
RP-245		245,000	5	12-11/16	3-3/8	1-1/2	1	19-1/2	4	6.80
RP-305		305,000	5	17-3/8	3-3/8	1-1/2	1	24-3/16	4	9.00
RP-495		495,000	5-1/16	34-13/16	3-5/8	2	1	42-1/16	4	16.80
RP-995		995,000	6-9/16	26-5/8	4-5/16	2	2	35-3/16	5-1/2	21.50
	B Ti-180	185,000	5-5/8	7-11/16	4-1/4	1-1/2	1-1/4	16-1/8	4-1/16	4.70
	B Ti-300	305,000	5-5/8	17-1/2	4-1/4	1-1/2	1-1/4	25-15/16	4-1/16	9.00
	B Ti-500	495,000	5-5/8	35-5/16	4-1/4	1-1/2	1-1/4	43-3/4	4-1/16	16.80

*Nominal values are based on 140 °F temperature differential between incoming heating and heated water.

**B Ti Titanium - widely used in industrial salt water environments. Due to its unsurpassed corrosion resistance, this unique super alloy option is a 'true' salt water product, now available from Raypak for the most demanding of applications, from high chlorination to high salt content.

MODEL	BTU	PART NUMBER
RP-045	45,000	013476
RP-075	75,000	013477
RP-125	125,000	013478
RP-185	185,000	013479
RP-245	245,000	013480
RP-305	305,000	013481
RP-495	495,000	013482
RP-995	995,000	013483

Units with B Ti Super Alloy

B Ti-180	185,000	018306
B Ti-300	305,000	018307
B Ti-500	495,000	018308

RESIDENTIAL HEATER OPTIONS AND KITS

MODEL	DESCRIPTION	PART NUMBER	SHIPPING WEIGHT (lbs)
A-15: PRESSURE RELIEF VALVES			
206A/207A	125 lbs	012648	3
266A-407A	125 lbs	010231	5

D-2: POWER VENT - INDOOR

206A-267A	IID ONLY	009832	36
336A-407A	IID ONLY	009833	39

Note: Power vents are shipped loose for field installation and wiring. Factory wired for 240V operation.

D-10: RESIDENTIAL POOL HEATER INDOOR DRAFTHOODS

106A	INDOOR TOP	014357	12
156A	INDOOR TOP	014358	12
206A/207A	INDR STACK TOP 6"	009838	12
266A/267A	INDR STACK TOP 7"	009839	15
336A/337A	INDR STACK TOP 8"	009840	17
406A/407A	INDR STACK TOP 9"	009841	20
406A/407A	ADAPTER 9" X 10"	010781	5

D-11: RESIDENTIAL POOL HEATER STACKLESS TOPS - SHIPPED WITH HEATER

D-13: RESIDENTIAL POOL HEATER HIGH WIND TOPS

106A	HIGHWIND TOP	014718	12
156A	HIGHWIND TOP	014719	12
206A/207A	HIGHWIND TOP	009834	20
266A/267A	HIGHWIND TOP	009835	20
336A/337A	HIGHWIND TOP	009836	25
406A/407A	HIGHWIND TOP	009837	25

D-106: WEATHERSHIELD

106A		016254	
------	--	--------	--

HOSE ADAPTERS:

206A-407A	2" MPT TO 1 1/2" HOSE	006490	SET OF 2
-----------	-----------------------	--------	----------

POOLSTAT COVER/LOCK KIT

106A		014778	N/A
206A-407A		009505	2
Heat Pump Classic Series		009540	3

X-10: RESTRAINT BRACKET - HURRICANE TIE DOWN

206A-406A, 207A-407A		011636	
----------------------	--	--------	--

PROTEK SHIELD REPLACEMENT KIT

206A-406A, 207A-407A, 264 & 404		017960F	2
---------------------------------	--	---------	---

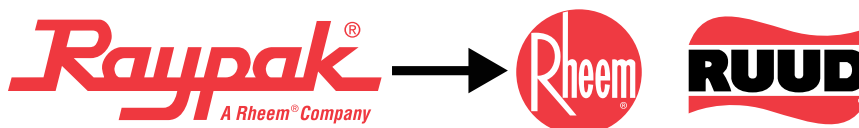
PROTEK SHIELD BULK (25PK) REPLACEMENT KIT

206A-406A, 207A-407A, 264 & 404		018847F	67
---------------------------------	--	---------	----

RAYPAK TO RHEEM CROSS REFERENCE GUIDE

RESIDENTIAL POOL/SPA HEATERS - COPPER TUBING W/ NATURAL GAS

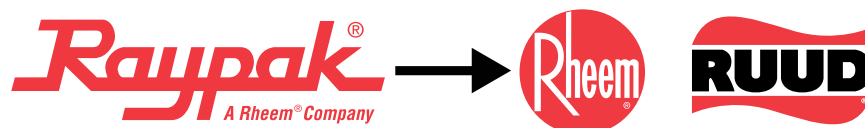
RAYPAK PRODUCT	RAYPAK P/N	RHEEM PRODUCT	RHEEM P/N	RUUD PRODUCT	RUUD P/N
LOW NOx AVIA POOL HEATER WITH POLYMER HEADERS, COPPER TUBING, NATURAL GAS					
P-R264A-EN-C	018032	P-M264A-EN-C	018068	P-D264A-EN-C	018092
P-R404A-EN-C	018033	P-M404A-EN-C	018069	P-D404A-EN-C	018093
LOW NOx AVIA HD POOL HEATER WITH POLYMER HEADERS, NITEK TUBING, NATURAL GAS					
P-R264A-EN-N	018044	P-M264A-EN-N	018080	P-D264A-EN-N	018104
P-R404A-EN-N	018045	P-M404A-EN-N	018081	P-D404A-EN-N	018105
MILLIVOLT PLUS WITH POLYMER HEADERS, COPPER TUBING, NATURAL GAS					
P-R206A-MN-C #50	009192	P-M206A-MN-C #50	009906	P-D206A-MN-C #50	009934
P-R206A-MN-C #51	009196	P-M206A-MN-C #51	009910	P-D206A-MN-C #51	009938
P-R206A-MN-C #52	009842	P-M206A-MN-C #52	009914	P-D206A-MN-C #52	009942
P-R266A-MN-C #50	009193	P-M266A-MN-C #50	009907	P-D266A-MN-C #50	009935
P-R266A-MN-C #51	009197	P-M266A-MN-C #51	009911	P-D266A-MN-C #51	009939
P-R266A-MN-C #52	009843	P-M266A-MN-C #52	009915	P-D266A-MN-C #52	009943
P-R336A-MN-C #50	009194	P-M336A-MN-C #50	009908	P-D336A-MN-C #50	009936
P-R336A-MN-C #51	009198	P-M336A-MN-C #51	009912	P-D336A-MN-C #51	009940
P-R336A-MN-C #52	009844	P-M336A-MN-C #52	009916	P-D336A-MN-C #52	009944
P-R406A-MN-C #50	009195	P-M406A-MN-C #50	009909	P-D406A-MN-C #50	009937
P-R406A-MN-C #51	009199	P-M406A-MN-C #51	009913	P-D406A-MN-C #51	009941
P-R406A-MN-C #52	009845	P-M406A-MN-C #52	009917	P-D406A-MN-C #52	009945
POLYMER HEADERS, ANALOG CONTROL, ELECTRONIC IGNITION, NATURAL GAS					
P-R106A-AN-C	014779	P-M106A-AN-C	014797	P-D106A-AN-C	014815
P-R106A-AN-C	014780	P-M106A-AN-C	014798	P-D106A-AN-C	014816
POLYMER HEADERS, DIGITAL CONTROL, ELECTRONIC IGNITION, NATURAL GAS					
P-R156A-EN-C	014784	P-M156A-EN-C	014802	P-D156A-EN-C	014820
P-R156A-EN-C	014785	P-M156A-EN-C	014803	P-D156A-EN-C	014821
DIGITAL W/POLYMER HEADERS, COPPER TUBING, ELECTRONIC IGNITION, NATURAL GAS					
P-R206A-EN-C #50	009216	P-M206A-EN-C #50	009962	P-D206A-EN-C #50	009994
P-R206A-EN-C #51	009220	P-M206A-EN-C #51	009966	P-D206A-EN-C #51	009998
P-R206A-EN-C #52	009846	P-M206A-EN-C #52	009970	P-D206A-EN-C #52	010002
P-R266A-EN-C #50	009217	P-M266A-EN-C #50	009963	P-D266A-EN-C #50	009995
P-R266A-EN-C #51	009221	P-M266A-EN-C #51	009967	P-D266A-EN-C #51	009999
P-R266A-EN-C #52	009847	P-M266A-EN-C #52	009971	P-D266A-EN-C #52	010003
P-R336A-EN-C #50	009218	P-M336A-EN-C #50	009964	P-D336A-EN-C #50	009996
P-R336A-EN-C #51	009222	P-M336A-EN-C #51	009968	P-D336A-EN-C #51	010000
P-R336A-EN-C #52	009848	P-M336A-EN-C #52	009972	P-D336A-EN-C #52	010004
P-R406A-EN-C #50	009219	P-M406A-EN-C #50	009965	P-D406A-EN-C #50	009997
P-R406A-EN-C #51	009223	P-M406A-EN-C #51	009969	P-D406A-EN-C #51	010001
P-R406A-EN-C #52	009849	P-M406A-EN-C #52	009973	P-D406A-EN-C #52	010005
LOW NOx DIGITAL W/POLYMER HEADERS, COPPER TUBING, ELECTRONIC IGNITION, N-GAS					
P-R207A-EN-C #26	009240	P-M207A-EN-C #26	009990	P-D207A-EN-C #26	010022
P-R267A-EN-C #26	009241	P-M267A-EN-C #26	009991	P-D267A-EN-C #26	010023
P-R337A-EN-C #26	009242	P-M337A-EN-C #26	009992	P-D337A-EN-C #26	010024
P-R407A-EN-C #26	009243	P-M407A-EN-C #26	009993	P-D407A-EN-C #26	010025



RAYPAK TO RHEEM CROSS REFERENCE GUIDE

RESIDENTIAL POOL/SPA HEATERS - COPPER TUBING W/ PROPANE GAS

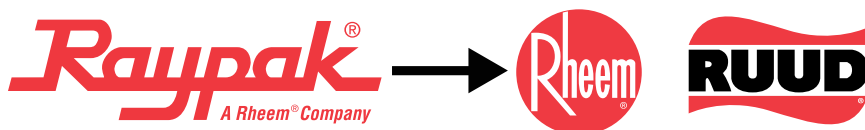
RAYPAK PRODUCT	RAYPAK P/N	RHEEM PRODUCT	RHEEM P/N	RUUD PRODUCT	RUUD P/N
LOW NOX AVIA POOL HEATER WITH POLYMER HEADERS, COPPER TUBING, PROPANE GAS					
P-R264A-EP-C	018038	P-M264A-EP-C	018074	P-D264A-EP-C	018098
P-R404A-EP-C	018039	P-M404A-EP-C	018075	P-D404A-EP-C	018099
LOW NOX AVIA HD POOL HEATER WITH POLYMER HEADERS, NITEK TUBING, PROPANE GAS					
P-R264A-EP-N	018050	P-M264A-EP-N	018086	P-D264A-EP-N	018110
P-R404A-EP-N	018051	P-M404A-EP-N	018087	P-D404A-EP-N	018111
MILLIVOLT PLUS WITH POLYMER HEADERS, COPPER TUBING, PROPANE GAS					
P-R206A-MP-C #57	009200	P-M206A-MP-C #57	009918	P-D206A-MP-C #57	009946
P-R206A-MP-C #58	009204	P-M206A-MP-C #58	009922	P-D206A-MP-C #58	009950
P-R206A-MP-C #59	009208	P-M206A-MP-C #59	009926	P-D206A-MP-C #59	015563
P-R206A-MP-C #60	009212	P-M206A-MP-C #60	009930	P-D206A-MP-C #60	009958
P-R266A-MP-C #57	009201	P-M266A-MP-C #57	009919	P-D266A-MP-C #57	009947
P-R266A-MP-C #58	009205	P-M266A-MP-C #58	009923	P-D266A-MP-C #58	009951
P-R266A-MP-C #59	009209	P-M266A-MP-C #59	009927	P-D266A-MP-C #59	009955
P-R266A-MP-C #60	009213	P-M266A-MP-C #60	009931	P-D266A-MP-C #60	009959
P-R336A-MP-C #57	009202	P-M336A-MP-C #57	009920	P-D336A-MP-C #57	009948
P-R336A-MP-C #58	009206	P-M336A-MP-C #58	009924	P-D336A-MP-C #58	009952
P-R336A-MP-C #59	009210	P-M336A-MP-C #59	009928	P-D336A-MP-C #59	009956
P-R336A-MP-C #60	009214	P-M336A-MP-C #60	009932	P-D336A-MP-C #60	009960
P-R406A-MP-C #57	009203	P-M406A-MP-C #57	009921	P-D406A-MP-C #57	009949
P-R406A-MP-C #58	009207	P-M406A-MP-C #58	009925	P-D406A-MP-C #58	009953
P-R406A-MP-C #59	009211	P-M406A-MP-C #59	009929	P-D406A-MP-C #59	009957
P-R406A-MP-C #60	009215	P-M406A-MP-C #60	009933	P-D406A-MP-C #60	009961
POLYMER HEADERS, ANALOG CONTROL, ELECTRONIC IGNITION, PROPANE GAS					
P-R106A-AP-C	014781	P-M106A-AP-C	014799	P-D106A-AP-C	014817
P-R106A-AP-C	014782	P-M106A-AP-C	014800	P-D106A-AP-C	014818
P-R106A-AP-C	014783	P-M106A-AP-C	014801	P-D106A-AP-C	014819
POLYMER HEADERS, DIGITAL CONTROL, ELECTRONIC IGNITION, PROPANE GAS					
P-R156A-EP-C	014786	P-M156A-EP-C	014804	P-D156A-EP-C	014822
P-R156A-EP-C	014787	P-M156A-EP-C	014805	P-D156A-EP-C	014823
P-R156A-EP-C	014788	P-M156A-EP-C	014806	P-D156A-EP-C	014824
DIGITAL W/POLYMER HEADERS, COPPER TUBING, ELECTRONIC IGNITION, PROPANE GAS					
P-R206A-EP-C #57	009224	P-M206A-EP-C #57	009974	P-D206A-EP-C #57	009946
P-R206A-EP-C #58	009228	P-M206A-EP-C #58	009978	P-D206A-EP-C #58	009950
P-R206A-EP-C #59	009232	P-M206A-EP-C #59	009982	P-D206A-EP-C #59	009954
P-R206A-EP-C #60	009236	P-M206A-EP-C #60	009986	P-D206A-EP-C #60	009958
P-R266A-EP-C #57	009225	P-M266A-EP-C #57	009975	P-D266A-EP-C #57	010007
P-R266A-EP-C #58	009229	P-M266A-EP-C #58	009979	P-D266A-EP-C #58	010011
P-R266A-EP-C #59	009233	P-M266A-EP-C #59	009983	P-D266A-EP-C #59	010015
P-R266A-EP-C #60	009237	P-M266A-EP-C #60	009987	P-D266A-EP-C #60	010019
P-R336A-EP-C #57	009226	P-M336A-EP-C #57	009976	P-D336A-EP-C #57	010008
P-R336A-EP-C #58	009230	P-M336A-EP-C #58	009980	P-D336A-EP-C #58	010012
P-R336A-EP-C #59	009234	P-M336A-EP-C #59	009984	P-D336A-EP-C #59	010016
P-R336A-EP-C #60	009238	P-M336A-EP-C #60	009988	P-D336A-EP-C #60	010020
P-R406A-EP-C #57	009227	P-M406A-EP-C #57	009977	P-D406A-EP-C #57	010009
P-R406A-EP-C #58	009231	P-M406A-EP-C #58	009981	P-D406A-EP-C #58	010013
P-R406A-EP-C #59	009235	P-M406A-EP-C #59	009985	P-D406A-EP-C #59	010017
P-R406A-EP-C #60	009239	P-M406A-EP-C #60	009989	P-D406A-EP-C #60	010021
ELECTRIC SPA HEATERS					
ELS-R-0005-1-T1	017121	ELS-M-0005-1-T1	017125	ELS-D-0005-1-T1	017129
ELS-R-0011-1-T1	017122	ELS-M-0011-1-T1	017126	ELS-D-0011-1-T1	017130
ELS-R-0018-1-T1	017123	ELS-M-0018-1-T1	017127	ELS-D-0018-1-T1	017131
ELS-R-0027-1-T1	017124	ELS-M-0027-1-T1	017128	ELS-D-0027-1-T1	017132



RAYPAK TO RHEEM CROSS REFERENCE GUIDE

RESIDENTIAL POOL/SPA HEAT PUMPS

RAYPAK PRODUCT	RAYPAK P/N	RHEEM PRODUCT	RHEEM P/N	RUUD PRODUCT	RUUD P/N
HEAT PUMPS					
R2450ti-E	TWPH-2450EHT08	M2450ti-E	TWPH-2450EHT10	D2450ti-E	TWPH-2450EHT11
R3450ti-E	TWPH-3450EHT08	M3450ti-E	TWPH-3450EHT10	D3450ti-E	TWPH-3450EHT11
R4450ti-E	TWPH-4450EHT08	M4450ti-E	TWPH-4450EHT10	D4450ti-E	TWPH-4450EHT11
R5450ti-E	TWPH-5450EHT08	M5450ti-E	TWPH-5450EHT10	D5450ti-E	TWPH-5450EHT11
R6450ti-E	TWPH-6450EHT08	M6450ti-E	TWPH-6450EHT10	D6450ti-E	TWPH-6450EHT11
R8450ti-E	TWPH-8450EHT08	M8450ti-E	TWPH-8450EHT10	D8450ti-E	TWPH-8450EHT11
R6450ti-E-PD	TWPH-6450EPD08	M6450ti-E-PD	TWPH-6450EPD10	D6450ti-E-PD	TWPH-6450EPD11
R6450ti-E-HC	TWPH-6450EHC08	M6450ti-E-HC	TWPH-6450EHC10	D6450ti-E-HC	TWPH-6450EHC11
R8450ti-E-HC	TWPH-8450EHC08	M8450ti-E-HC	TWPH-8450EHC10	D8450ti-E-HC	TWPH-8450EHC11
CROSSWIND					
50-I-R	017740	50-I-M	017744	50-I-D	017748
65-I-R	017741	65-I-M	017745	65-I-D	017749



PRODUCT NAME VS. MODEL NUMBER

PRODUCT NAME	MODEL NUMBER	DATE OF MANUFACTURE
GBI	33, R33	05-01-85 through 12-31-93
Gemini 3	53	11-01-82 through 12-31-84
Spa Pak	053A.....	01-01-84 through 03-01-86
Spa Pak	053B.....	01-01-86 through 05-01-87
Spa Pak	ELS 552-2, 1102-2.....	11-01-83 through current
E3T	ELS 0005-1, 0011-1, 0018-1, 0027-1	09-30-18 through current
E3T 3-Phase	ELS 0018-3/4, 0024-3/4, 0030-3/4, 0045-4, 0054-4.....	1-23-23 through current
Versa	055A.....	05-01-87 through 09-30-89
Versa	055B.....	10-01-90 through 04-13-13
Versa	105A.....	10-01-91 through 05-30-99
Versa Plus	105B.....	06-01-99 through 07-31-06
“Raypak”, Rheem, Ruud	106A.....	06-01-13 through current
Versa	130A.....	10-03-05 through 05-31-13
Versa Plus	155A.....	11-87 through 10-31-91
Versa Plus	155B/C	09-01-91 through 06-30-06
“Raypak”, Rheem, Ruud	156A.....	06-01-13 through current
Versa	185A, 265A, 335A, 405A	11-01-86 through 10-15-88
Versa	185B/C, 265B/C, 335B/C, 405B/C.....	10-16-88 through 11-01-93
Versa Oil Fired	315A.....	01-01-90 through 09-11-98
Spa Pak II, California III	151	1974 through 12-01-81
Spa Pak III, Gemini	153	12-01-81 through 01-01-84
Spa Pak III, Gemini	153A.....	01-01-84 through 02-15-87
Gemini	181, 261, 331, 401.....	1974 through 02-01-1982
Gemini 3, Spa Pak	183, 263, 333, 403.....	12-01-81 through 02-28-84
Gemini 3, Spa Pak	183A, 263A, 333A, 403A	01-01-84 through 11-01-86
RP2100	R185, R265, R335, R405	11-01-93 through 10-31-98
RP2100	R185A, R265A, R335A, R405A.....	11-01-98 through 01-04-04
RP2100	R185B, R265B, R335B, R405B.....	10-20-03 through 10-21-04
“Raypak”, Rheem, Ruud	206A, 266A, 336A, 406A	10-22-05 through current
“Raypak”, Rheem, Ruud	207A, 267A, 337A, 407A	10-22-05 through current
AVIA	264A, 404A	01-04-22 through current
AVIA HD	264A, 404A	01-21-23 through current

GAS LINE SIZING CHART

Maximum Equivalent Pipe Length (ft)								
Natural Gas 1000 BTU/FT ³ 0.60 Specific Gravity @ 0.5 in. WC Pressure Drop								
Propane Gas 2500 BTU/FT ³ 1.53 Specific Gravity @ 0.5 in. WC Pressure Drop								
	3/4"		1"		1-1/4"		1-1/2"	
Model	N	P	N	P	N	P	N	P
206/207	25	60	90	215	360			
266/267	15	35	50	125	210	480	445	
336/337	10	20	30	80	140	320	290	
406/407	*	15	20	55	95	225	215	480
264	15	35	50	125	210	480	445	
404	*	15	20	55	95	225	215	280

*A 3/4" gas line can be used for up to 5 ft maximum length from the gas valve in addition to the sediment trap.

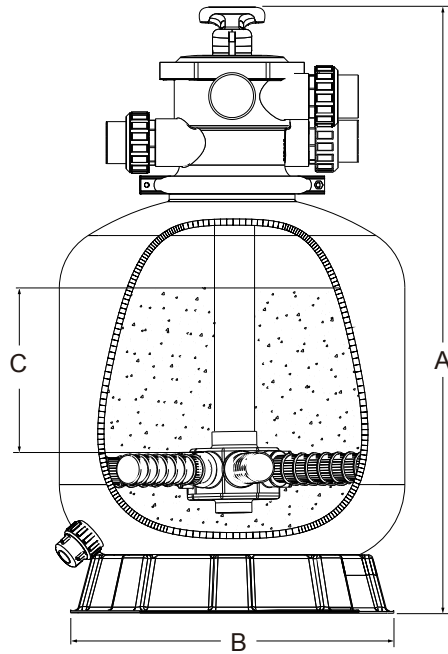
SECTION 2

PUMPS & FILTERS

PROTÉGÉ SF	36
PROTÉGÉ SFP	37
PROTÉGÉ CFP	38
PROTÉGÉ AGP	39
PROTÉGÉ VSP	40

PROTÉGÉ SF

- 14" – 28" sizes (80-150lbs sand capacity)
- 1.5" PVC union connection
- Six-way, multi-port valve
- Equipped with a backwash setting
- Requires no chemicals
- Durable, weather-resistant materials
- Large filter, long duration between cleanings
- Sturdy filter base: solid, balanced & supportive
- Pair perfectly with Raypak above ground pool heaters



Model	Dimensions - inches (mm)			Valve Port Size inches	Silica 16/30* Weight lbs. (kg)
	Height A	Diameter B	Silica Height C		
RPSF14	28.6 (726)	13.8 (351)	6.3 (160)	1.5	44 (20)
RPSF16	29.8 (757)	15.7 (399)	6.9 (175)	1.5	77 (35)
RPSF18	32.0 (813)	17.7 (450)	8.3 (211)	1.5	99 (45)
RPSF21	33.3 (846)	20.7 (526)	9.3 (236)	1.5	209 (95)
RPSF25	37.4 (950)	24.7 (627)	11.8 (300)	1.5	319 (145)
RPSF28	40.2 (1021)	27.7 (704)	13.0 (330)	1.5	462 (210)

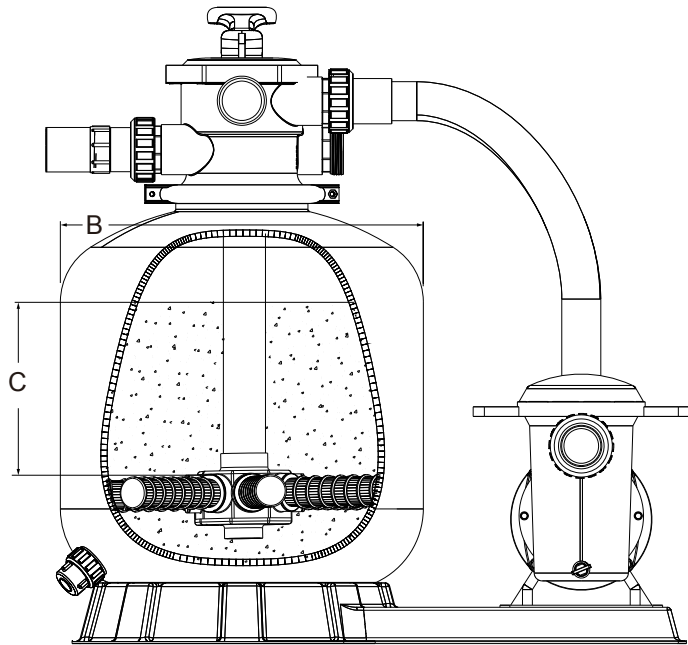
MODEL	DESCRIPTION	PART NUMBER	SAND WT (LBS)
RPSF14	14" TOP MOUNT SAND FILTER	018181	45
RPSF16	16" TOP MOUNT SAND FILTER	018182	80
RPSF18	18" TOP MOUNT SAND FILTER	018183	100
RPSF21	21" TOP MOUNT SAND FILTER	018184	190
RPSF25	25" TOP MOUNT SAND FILTER	018185	300
RPSF28	28" TOP MOUNT SAND FILTER	018186	450



For Parts reference the Illustrated Parts List at the back of this products I&O Manual, or Scan Code

PROTÉGÉ SFP

- 16" – 21" sizes (80-150lbs sand capacity)
- 1.5" PVC union connection
- Six-way, multi-port valve
- Equipped with a backwash setting
- Requires no chemicals
- Durable, weather-resistant materials
- Large filter, long duration between cleanings
- Powerful pump, pushes debris/sediment out
- Pair perfectly with Raypak above ground pool heaters



Model	Dimensions - inches (mm)		Valve Port Size (inches)	Silica 16/30* Weight lbs. (kg)	Pump Model	Power (HP)	Speed
	Filter Diameter B	Silica Height C					
RPSFP16	15.7 (399)	6.9 (175)	1.5	77 (35)	RPAGP75	0.75	Single
RPSFP18	17.7 (450)	8.3 (211)	1.5	99 (45)	RPAGP100	1.0	Single
RPSFP21	20.7 (526)	9.3 (236)	1.5	209 (95)	RPAGP150	1.5	Single
RPSFP181	17.7 (450)	8.3 (211)	1.5	99 (45)	RPAGP102	1.0	Dual
RPSFP211	20.7 (526)	9.3 (236)	1.5	209 (95)	RPAGP152	1.5	Dual

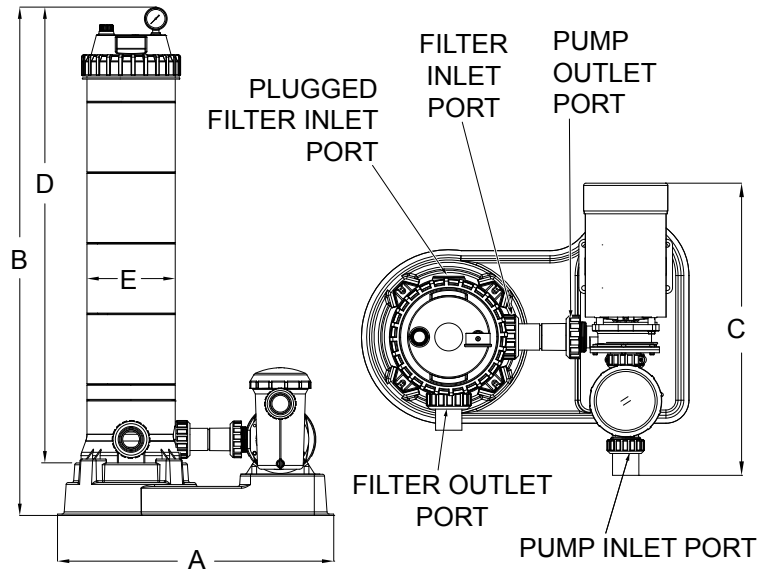
MODEL	DESCRIPTION	PART NUMBER	SAND WT (LBS)
RPSFP16	16" SAND FILTER .75 HP PUMP	018187	80
RPSFP18	18" SAND FILTER 1.0 HP PUMP	018188	100
RPSFP21	21" SAND FILTER 1.5 HP PUMP	018189	150
RPSFP181	18" SAND FILTER 1.0 HP PUMP (2 SPEED)	018190	100
RPSFP211	21" SAND FILTER 1.5 HP PUMP (2 SPEED)	018191	150



For Parts reference the Illustrated Parts List at the back of this products I&O Manual, or Scan Code

PROTÉGÉ CFP

- 50 sq. ft. – 200 sq. ft. sizes (cartridge filters)
- 1.5" PVC union connection
- Equipped with a pressure gauge
- Durable, weather-resistant materials
- Ring lock lid, easy access for maintenance
- Sturdy filter base: solid, balanced & supportive
- Transparent cover, large sturdy strainer basket
- Powerful pump, pushes debris/sediment out
- Pair perfectly with Raypak above ground pool heaters



Model	Dimensions - inches (mm)			Pipe Size inches	Tank Diameter inches	Max Flow Rate GPM (LPM)	Filter Area ft² (m²)	Pump Model	Power (HP)	Speed
	A	B	C							
RPCFP50	28.2 (716)	30.4 (772)	24.8 (630)	1.5	9	50 (187)	50 (4.6)	RPAGP75	0.75	Single
RPCFP75	28.2 (716)	37.6 (955)	24.8 (630)	1.5	9	75 (284)	75 (7)	RPAGP100	1.0	Single
RPCFP100	28.2 (716)	44.8 (1138)	24.8 (630)	1.5	9	100 (379)	100 (9.3)	RPAGP100	1.0	Single
RPCFP150	28.2 (716)	52 (1321)	24.8 (630)	1.5	9	150 (568)	150 (13.9)	RPAGP150	1.5	Single
RPCFP152	28.2 (716)	52 (1321)	24.8 (630)	1.5	9	150 (568)	150 (13.9)	RPAGP152	1.5	Dual
RPCFP202	28.2 (716)	59.2 (1504)	24.8 (630)	1.5	9	180 (681)	180 (16.7)	RPAGP152	1.5	Dual

MODEL

DESCRIPTION

PART NUMBER

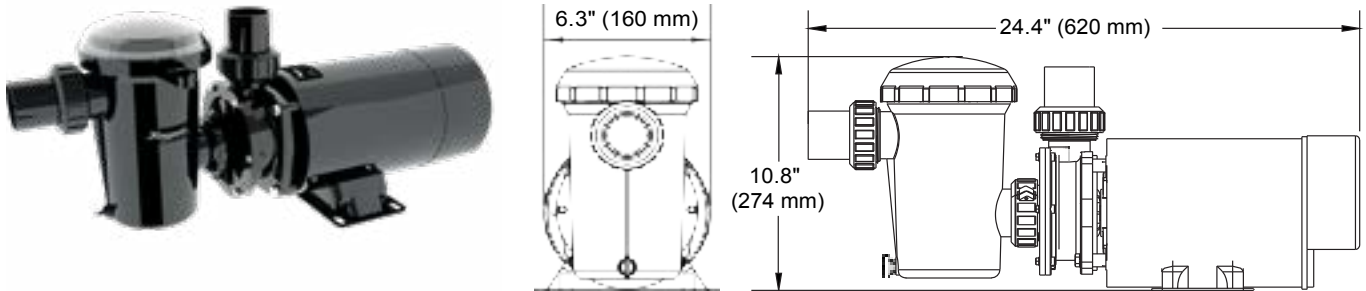
RPCFP50	50 SQ FT CARTRIDGE FILTER .75 HP PUMP WITH 110/115V, 60Hz MOTOR	018198
RPCFP75	75 SQ FT CARTRIDGE FILTER 1.0 HP PUMP WITH 110/115V, 60Hz MOTOR	018199
RPCFP100	100 SQ FT CARTRIDGE FILTER 1.0 HP PUMP WITH 110/115V, 60Hz MOTOR	018200
RPCFP150	150 SQ FT CARTRIDGE FILTER 1.5 HP PUMP WITH 110/115V, 60Hz MOTOR	018201
RPCFP152	150 SQ FT CARTRIDGE FILTER 1.5 HP PUMP WITH 110/115V, 60Hz MOTOR	018202
RPCFP202	200 SQ FT CARTRIDGE FILTER 1.5 HP PUMP WITH 110/115V, 60Hz MOTOR	018203



For Parts reference the Illustrated Parts List at the back of this products I&O Manual, or Scan Code

PROTÉGÉ AGP

- 1.5" suction and discharge port – standard
- 110/115V
- Single Speed: 3400 RPM
- 2-Speed: 1700 RPM, 3400 RPM
- Durable motor: long-lasting, quiet operation
- Transparent basket cover
- Large sturdy strainer basket
- Powerful pump, pushes debris/sediment out
- Pair perfectly with Raypak above ground pool heaters



Model	Input Power	Power (HP)	Speed	Voltage	Connection Size
RPAGP75	0.55kW	0.75	Single	110/115V-60Hz	1.5"
RPAGP100	0.75kW	1.0	Single	110/115V-60Hz	1.5"
RPAGP102	0.75kW (Max)	1.0	Dual	110/115V-60Hz	1.5"
RPAGP152	1.1kW (Max)	1.5	Dual	110/115V-60Hz	1.5"

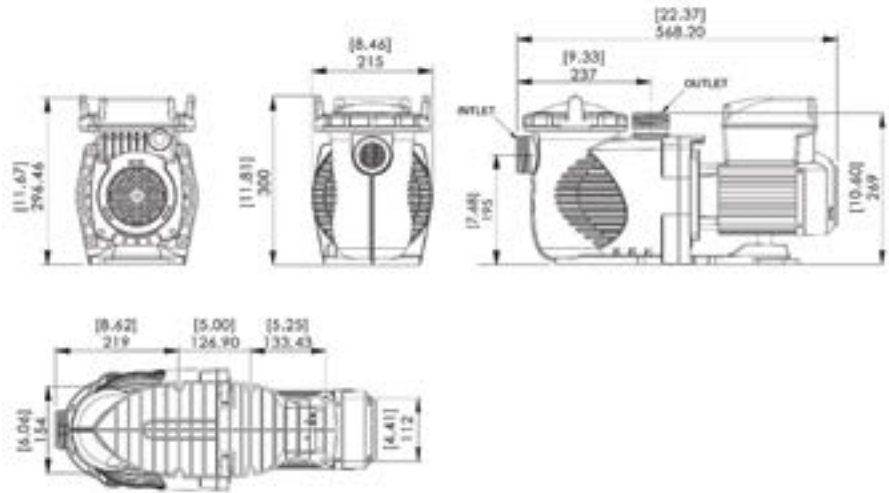
MODEL	DESCRIPTION	PART NUMBER
RPAGP75	.75 HP PUMP WITH 110/115V, 60Hz MOTOR	018192
RPAGP100	1.0 HP PUMP WITH 110/115V, 60Hz MOTOR	018193
RPAGP102	1.0 HP PUMP WITH 110/115V, 60Hz MOTOR (2 SPEED)	018194
RPAGP152	1.5 HP PUMP WITH 110/115V, 60Hz MOTOR (2 SPEED)	018196



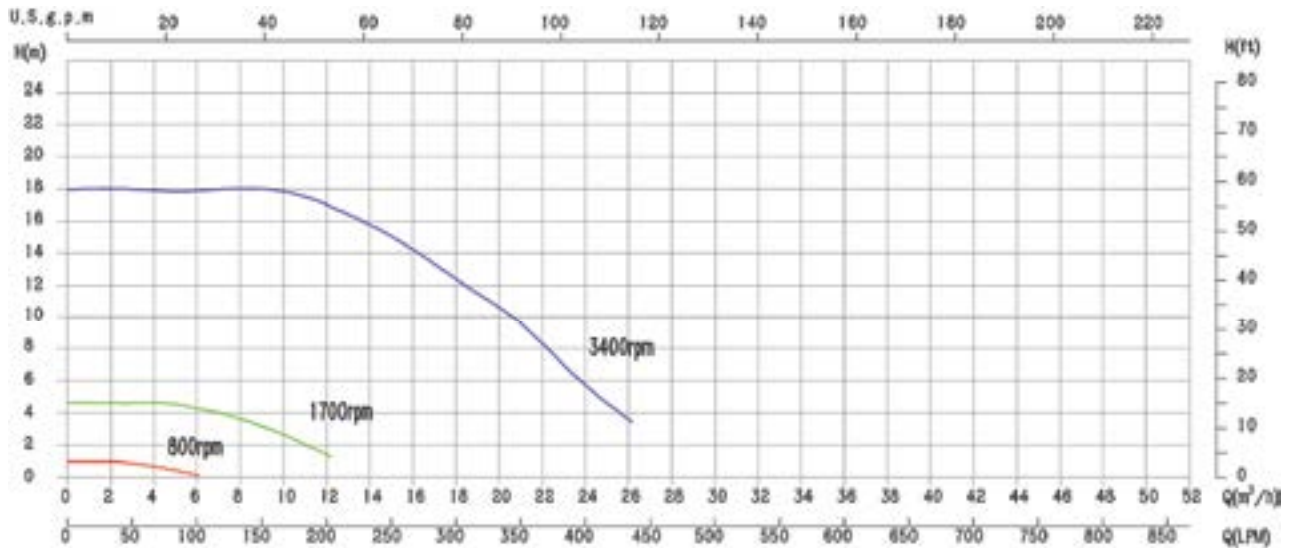
For Parts reference the Illustrated Parts List at the back of this products I&O Manual, or Scan Code

PROTÉGÉ VSP

- 1.5" suction and discharge port – standard
- 220/240V
- 3 pre-set speeds (800-3400RPM)
- Permanent-Magnet Motor Technology
- Durable motor: long-lasting, quiet operation
- Transparent cover, large sturdy strainer basket
- MODBUS connection for external automation control
- Pair perfectly with Raypak above ground pool heaters



Model	Input Power	Power (HP)	RPM	Voltage/Frequency	Max Load	Connection ID/OD
RPVSP1	1.30kW	1.5	800-3400	220/240V-50/60Hz	5.9-5.4A	1.5"/2"



MODEL	DESCRIPTION	PART NUMBER
RPVSP1	1.5 HP VARIABLE SPEED PUMP WITH 220/240V, 50/60Hz MOTOR	018197



For Parts reference the Illustrated Parts List at the back of this products I&O Manual, or Scan Code

SECTION 3

APPENDIX

HEAT LOSS CALCULATION	42
RESIDENTIAL HEATER SIZING	43

HEAT LOSS CALCULATION

HEAT LOSS FROM WATER SURFACE IN POOLS AND SPAS

		AIR VELOCITY (MILES PER HOUR)							
		0	0.35	0.68	1.6	3.4	6.81	13.63	34.09
AIR	WATER	HEAT LOSS, BTUH PER SQUARE FOOT							
80°F	80°F	17	34	40	49	66	106	185	330
	100°F	50	96	113	135	186	280	460	920
	110°F	210	265	320	380	540	780	1250	2550
70°F	80°F	47	72	82	99	138	210	347	690
	100°F	127	183	216	242	332	495	805	1610
	110°F	250	327	370	430	602	690	1425	2925
60°F	80°F	78	110	125	150	210	315	510	1050
	100°F	205	270	320	350	480	710	1150	2300
	110°F	290	370	420	480	670	1000	1600	3300
50°F	80°F	106	140	160	187	260	382	615	1255
	100°F	232	292	340	385	540	785	1275	2550
	110°F	320	395	445	515	670	1065	1740	3500

HEAT LOSS FROM WATER SURFACE AT VARIOUS AIR AND WATER TEMPERATURES AND AIR VELOCITIES AT 70% HUMIDITY.

RESIDENTIAL HEATER SIZING

How to Pick the Right Size Heater

Proper heater size is based on the time required to heat the pool or spa. If water is heated for each intended use, energy-saving rapid heating may be appropriate. If water is gradually heated to the desired temperature and then maintained at that temperature, a smaller heater may be acceptable. To determine proper heater size, use the following formula.

- A. Desired water temperature _____ °F
- B. (Minus) Average air temperature _____ °F
- C. (Equals) Total heat rise _____ °F
- D. Total heat rise/hours required to heat equals required heat rise per hour.

Use the charts below to find the appropriate heater for your pool or spa.

NUMBER IN THE TABLE IS REQUIRED HEAT RISE PER HOUR (°F).

					Pool Size - Surface Area in Square Feet							
					Degree Rise per Hour							
Product Name	Model Number/s	Input (BTU/HR)	Thermal Efficiency	Output	300	400	500	600	700	800	900	1000
Spa Gas Heater	106	105,000	82%	86100	0.9	0.7	0.6	0.5	0.4	0.3	0.3	0.3
Spa Gas Heater	156	150,000	82%	123000	1.3	1.0	0.8	0.7	0.6	0.5	0.4	0.4
Digital Gas Pool/Spa Heater	206/207	199,500	82%	163590	1.7	1.3	1.0	0.9	0.7	0.7	0.6	0.5
Digital Gas Pool/Spa Heater	266/267/268	266,000	82%	218120	2.3	1.7	1.4	1.2	1.0	0.9	0.8	0.7
Digital Gas Pool/Spa Heater	336/337	332,500	82%	272650	2.9	2.2	1.7	1.5	1.2	1.1	1.0	0.9
Digital Gas Pool/Spa Heater	406/407/408	399,000	82%	327180	3.5	2.6	2.1	1.7	1.5	1.3	1.2	1.0
X94 Gas Heater	410	399,000	94%	375060	4.0	3.0	2.4	2.0	1.7	1.5	1.3	1.2
AVIA Gas Heater	264	264,000	84%	221760	2.4	1.8	1.4	1.2	1.0	0.9	0.8	0.7
AVIA Gas Heater	404	399,000	84%	335160	3.6	2.7	2.1	1.8	1.5	1.3	1.2	1.1
E3T1PH Electric	5.5	18,772	99%	18659	0.2	0.1	0.1	0.1	0.1	0.1	0.1	0.1
E3T1PH Electric	11	37,543	99%	37318	0.4	0.3	0.2	0.2	0.2	0.1	0.1	0.1
E3T1PH Electric	18	61,434	99%	61065	0.7	0.5	0.4	0.3	0.3	0.2	0.2	0.2
E3T1PH Electric	27	92,151	99%	91598	1.0	0.7	0.6	0.5	0.4	0.4	0.3	0.3
E3T3PH Electric	18	61,434	99%	61065	0.7	0.5	0.4	0.3	0.3	0.2	0.2	0.2
E3T3PH Electric	24	81,912	99%	81421	0.9	0.7	0.5	0.4	0.4	0.3	0.3	0.3
E3T3PH Electric	30	102,390	99%	101776	1.1	0.8	0.7	0.5	0.5	0.4	0.4	0.3
E3T3PH Electric	45	153,585	99%	152663	1.6	1.2	1.0	0.8	0.7	0.6	0.5	0.5
E3T3PH Electric	54	184,302	99%	183196	2.0	1.5	1.2	1.0	0.8	0.7	0.7	0.6

					Spa Size in Gallons							
					Degree Rise per Hour							
Product Name	Model Number/s	Input (BTU/HR)	Thermal Efficiency	Output	300	400	500	600	700	800	900	1000
Spa Gas Heater	106	105,000	82%	86100	34.5	25.8	20.7	17.2	14.8	12.9	11.5	10.3
Spa Gas Heater	156	150,000	82%	123000	49.2	36.9	29.5	24.6	21.1	18.5	16.4	14.8
Digital Gas Pool/Spa Heater	206/207	199,500	82%	163590	65.5	49.1	39.3	32.7	28.1	24.5	21.8	19.6
Digital Gas Pool/Spa Heater	266/267/268	266,000	82%	218120	87.3	65.5	52.4	43.6	37.4	32.7	29.1	26.2
Digital Gas Pool/Spa Heater	336/337	332,500	82%	272650	109.1	81.8	65.5	54.6	46.8	40.9	36.4	32.7
Digital Gas Pool/Spa Heater	406/407/408	399,000	82%	327180	130.9	98.2	78.6	65.5	56.1	49.1	43.6	39.3
X94 Gas Heater	410	399,000	94%	375060	150.1	112.6	90.1	75.0	64.3	56.3	50.0	45.0
AVIA Gas Heater	264	264,000	84%	221760	88.7	66.6	53.2	44.4	38.0	33.3	29.6	26.6
AVIA Gas Heater	404	399,000	84%	335160	134.1	100.6	80.5	67.1	57.5	50.3	44.7	40.2
E3T1PH Electric	5.5	18,772	99%	18659	7.5	5.6	4.5	3.7	3.2	2.8	2.5	2.2
E3T1PH Electric	11	37,543	99%	37318	14.9	11.2	9.0	7.5	6.4	5.6	5.0	4.5
E3T1PH Electric	18	61,434	99%	61065	24.4	18.3	14.7	12.2	10.5	9.2	8.1	7.3
E3T1PH Electric	27	92,151	99%	91598	36.7	27.5	22.0	18.3	15.7	13.7	12.2	11.0
E3T3PH Electric	18	61,434	99%	61065	24.4	18.3	14.7	12.2	10.5	9.2	8.1	7.3
E3T3PH Electric	24	81,912	99%	81421	32.6	24.4	19.5	16.3	14.0	12.2	10.9	9.8
E3T3PH Electric	30	102,390	99%	101776	40.7	30.5	24.4	20.4	17.5	15.3	13.6	12.2
E3T3PH Electric	45	153,585	99%	152663	61.1	45.8	36.7	30.5	26.2	22.9	20.4	18.3
E3T3PH Electric	54	184,302	99%	183196	73.3	55.0	44.0	36.7	31.4	27.5	24.4	22.0

Note: Values calculated with an average pool depth of 5 ft.

Spa sizing is based on an insulated and covered spa. Always cover your spa when not in use to minimize heat loss and evaporation, and to decrease the time needed to heat the water. Heat absorbed by the spa walls or lost by evaporation will add to the heat-up time.



Learn more at raypak.com

2151 Eastman Avenue | Oxnard, CA 93030 | 805-278-5300

©2023 Raypak, Inc. RP-P-902-6 REV A Effective 05-01-23 Replaces PD6000.1 REV C